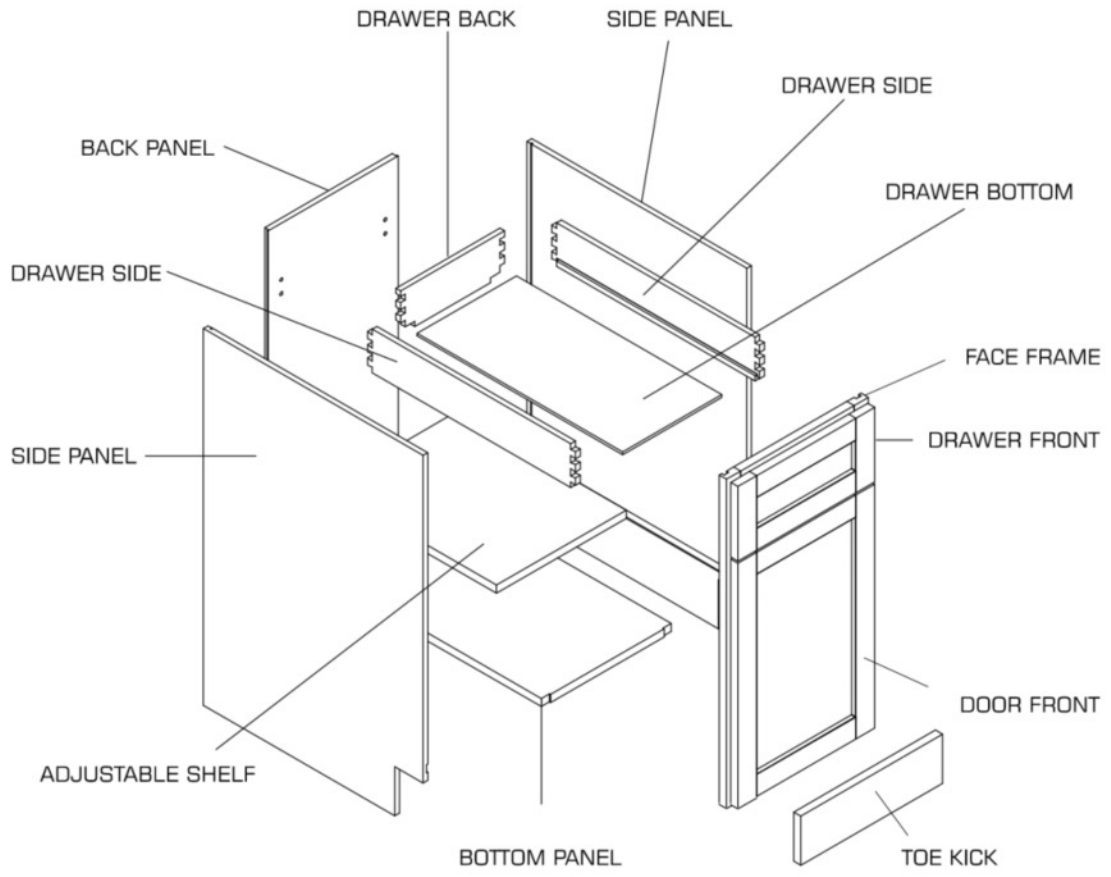


ASSEMBLING INSTRUCTIONS - BASE CABINET

BASE CABINET



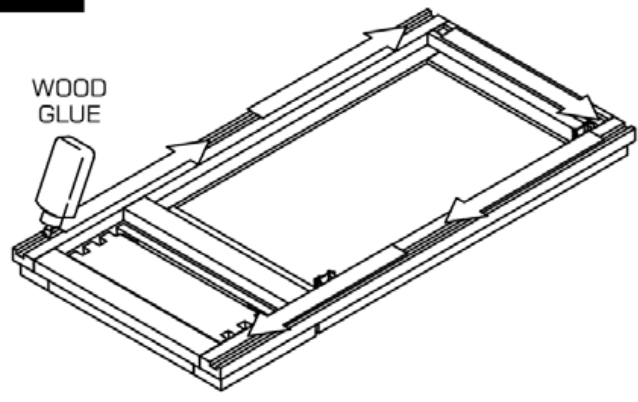
<p>GLIDES</p>	<p>METAL BRACKETS</p>	<p>SCREWS</p>	<p>SHELF CLIPS</p>	<p>GLIDE SUPPORTS</p>
---------------	-----------------------	---------------	--------------------	-----------------------

TOOLS

<p>WOOD GLUE</p>	<p>SCREW DRIVER</p>	<p>RUBBER Mallet</p>	<p>NAIL GUN</p>	<p>STAPLER</p>	<p>SPOTNAILS XC1008</p>
------------------	---------------------	----------------------	-----------------	----------------	-------------------------

STEP 1

WOOD
GLUE

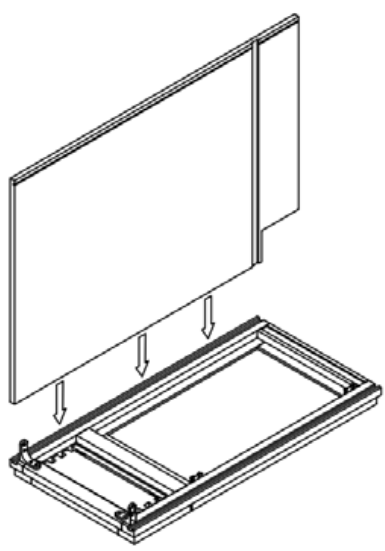


STEP 2

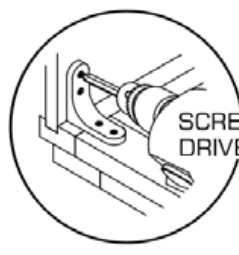


SCREW
DRIVER

STEP 3

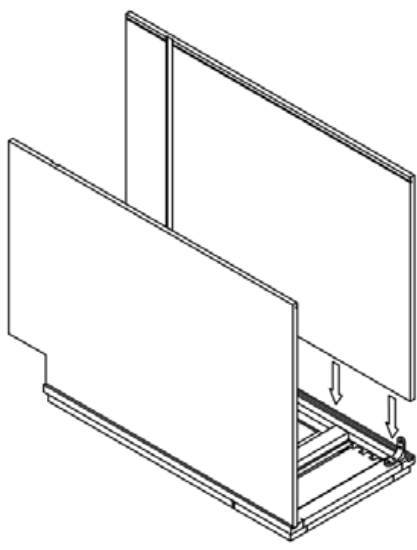


STEP 4



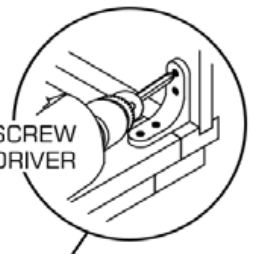
SCREW
DRIVER

STEP 5

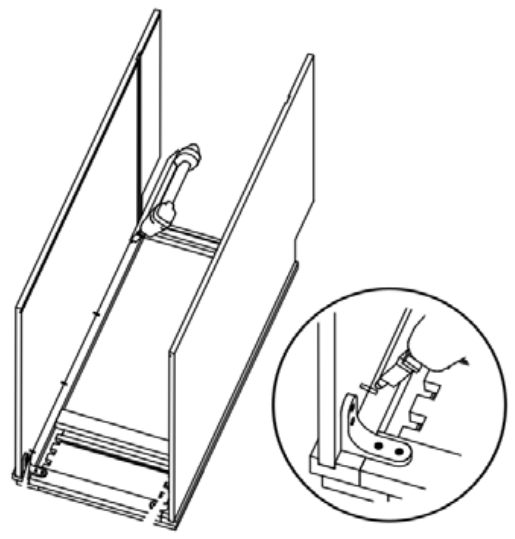


STEP 6

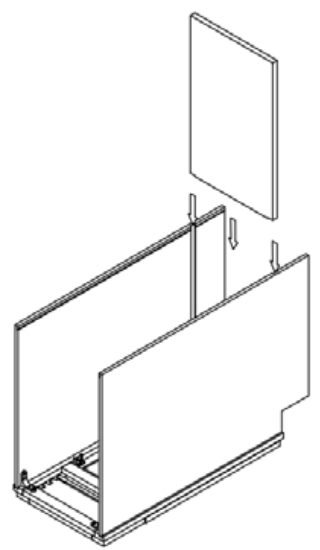
SCREW
DRIVER



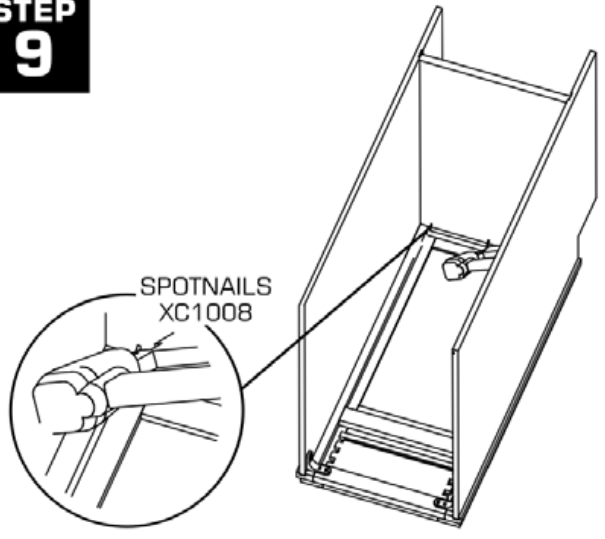
STEP 7



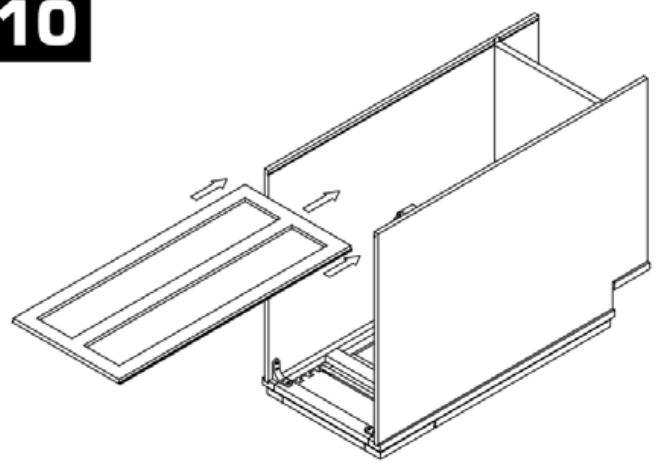
STEP 8



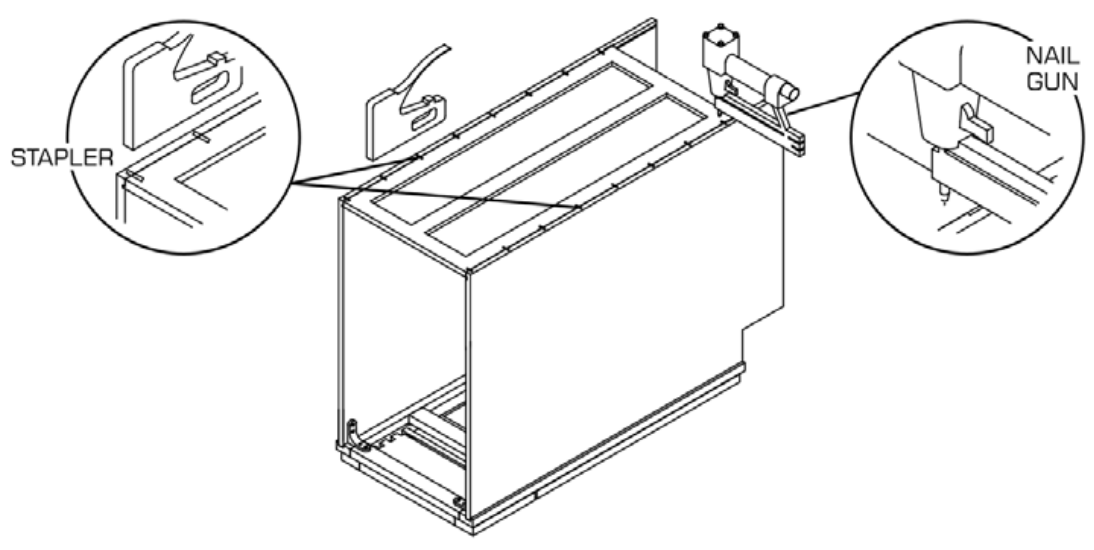
STEP 9



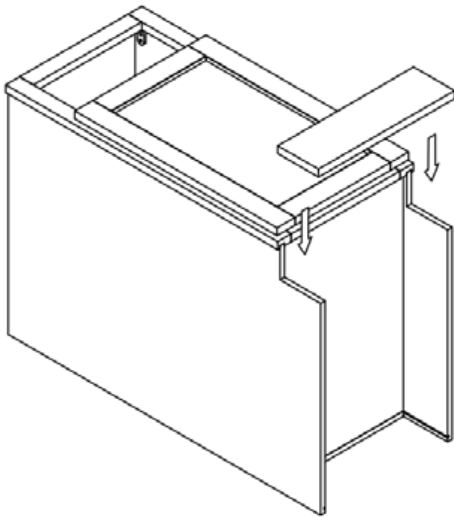
STEP 10



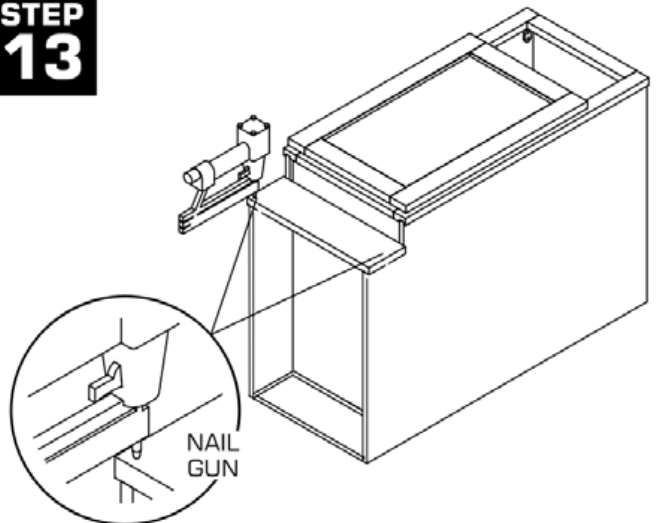
STEP 11



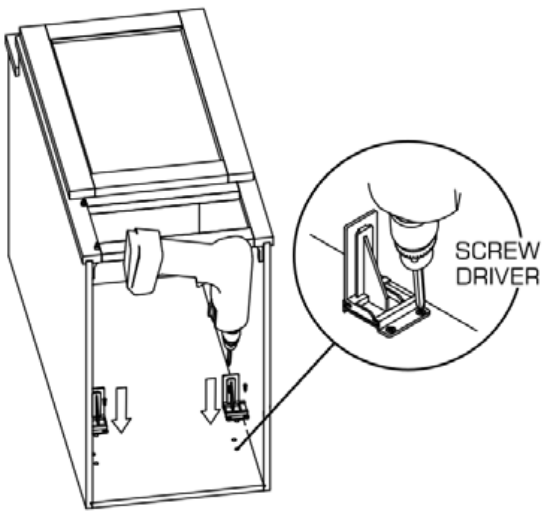
**STEP
12**



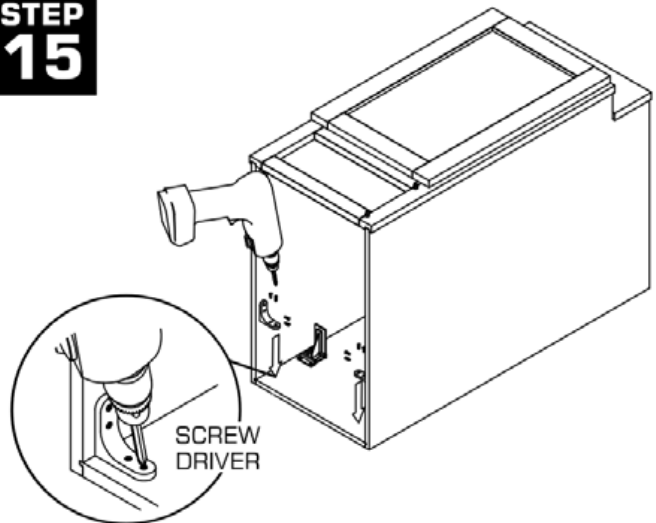
**STEP
13**



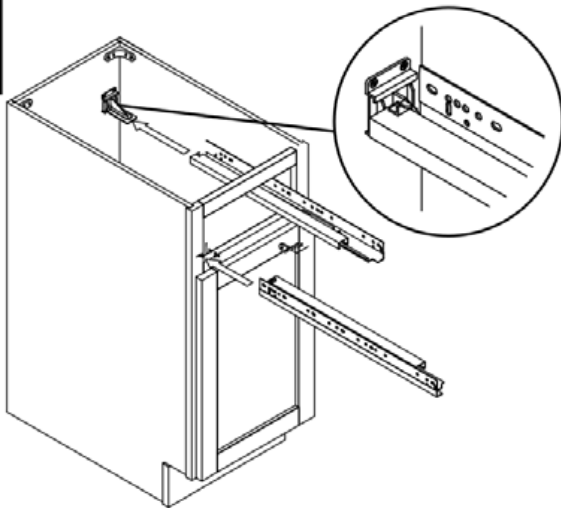
**STEP
14**



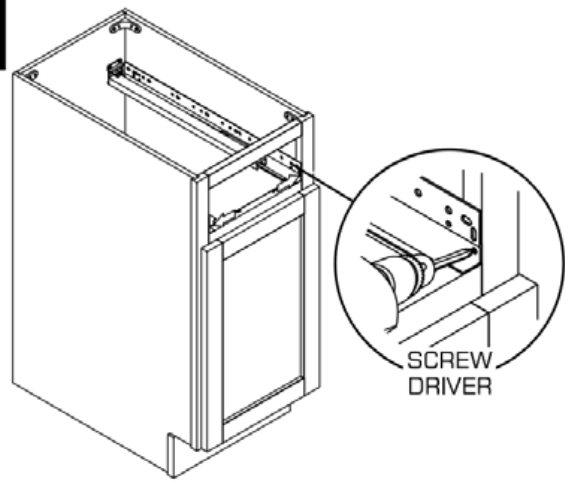
**STEP
15**



**STEP
16**

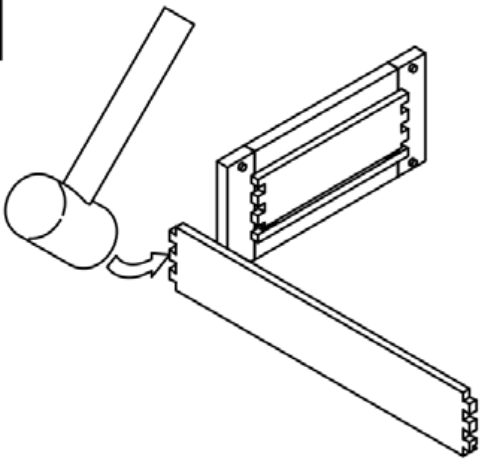


**STEP
17**

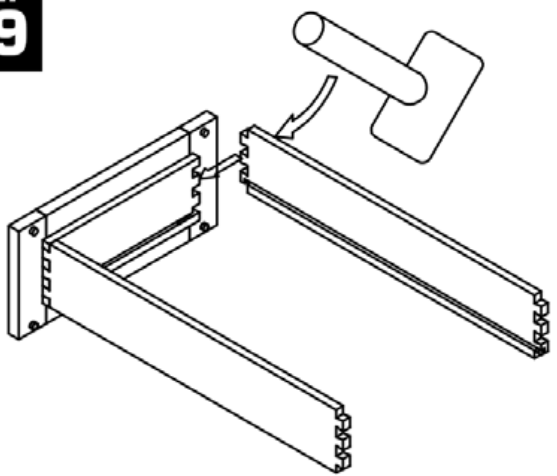


BASE CABINET

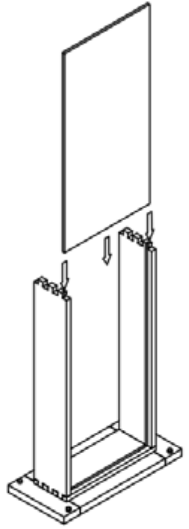
STEP 18



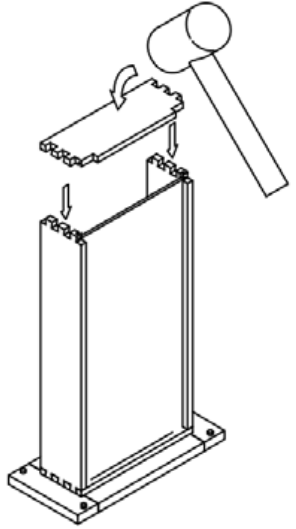
STEP 19



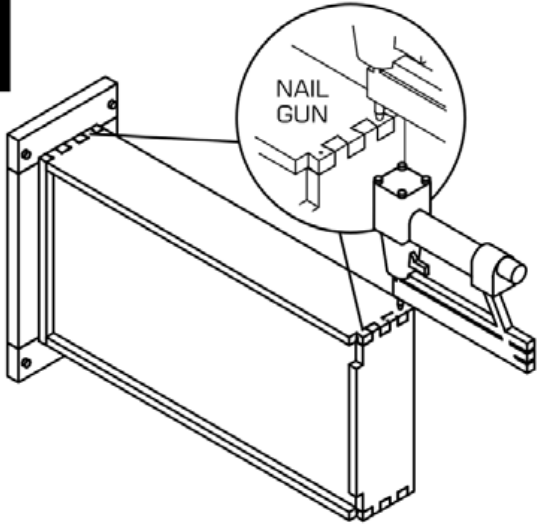
STEP 20



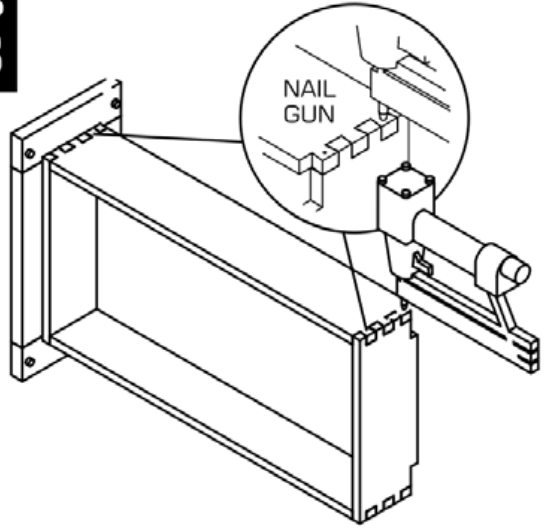
STEP 21



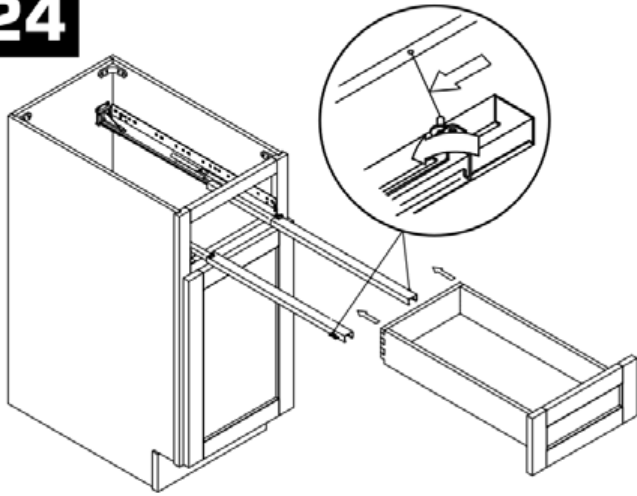
STEP 22



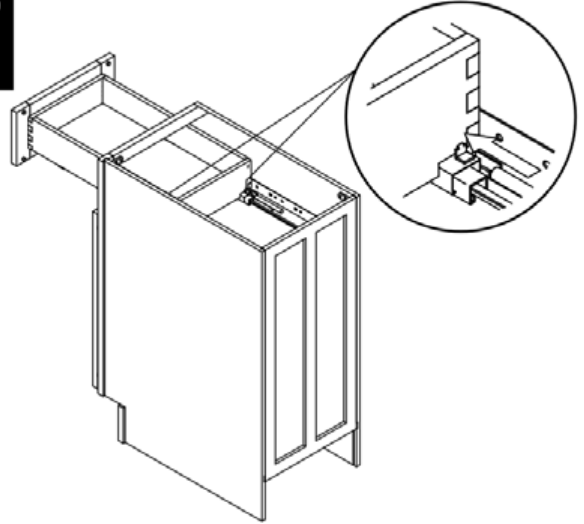
STEP 23



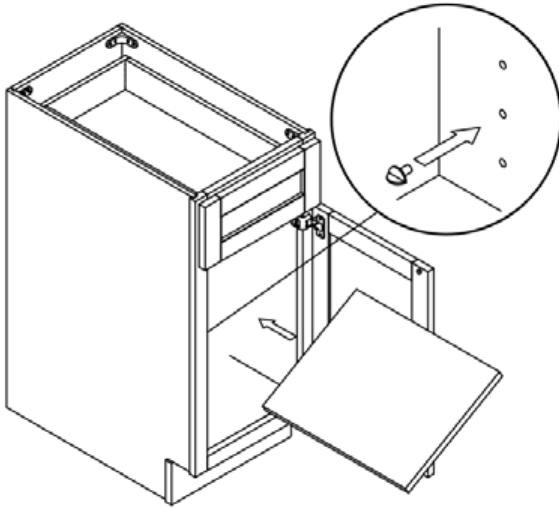
**STEP
24**



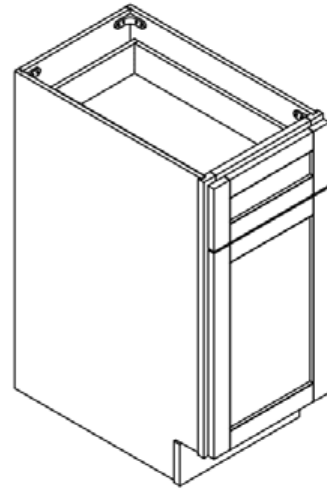
**STEP
25**



**STEP
26**



**STEP
27**



BASE CABINET