

Assembly Instructions for RD18 & RD24

Part list

A-Drawer side panel (2pcs)

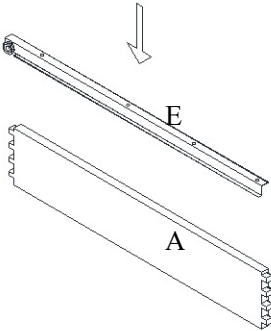
B-Drawer front(1pc)

C-Drawer back(1pc)

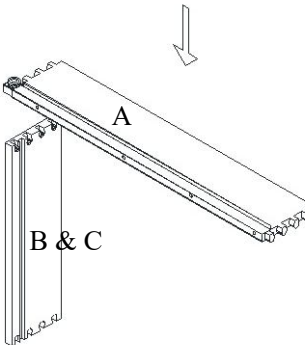
D-Drawer bottom panel(1pc)

E-Drawer slide (1 set)

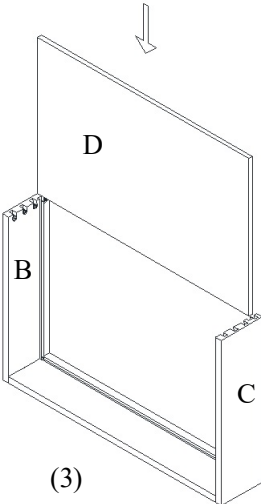
Installation Steps:



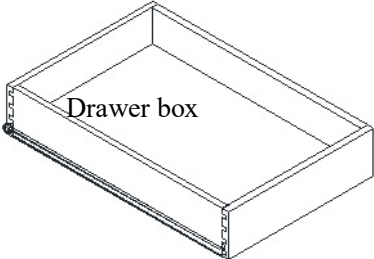
(1)



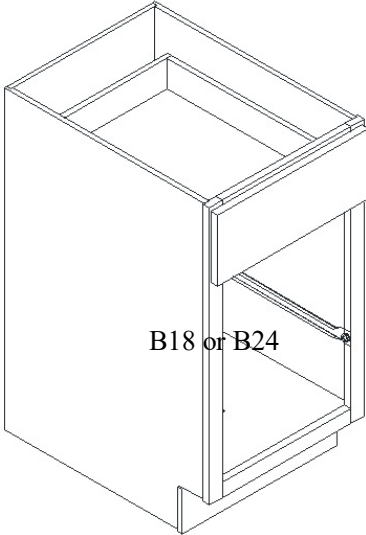
(2)



(3)

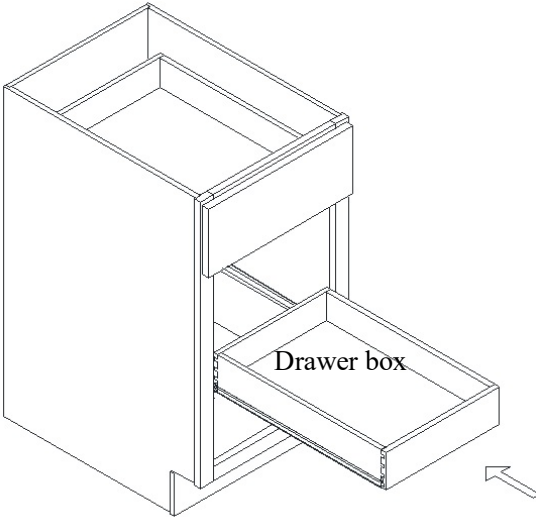


Drawer box



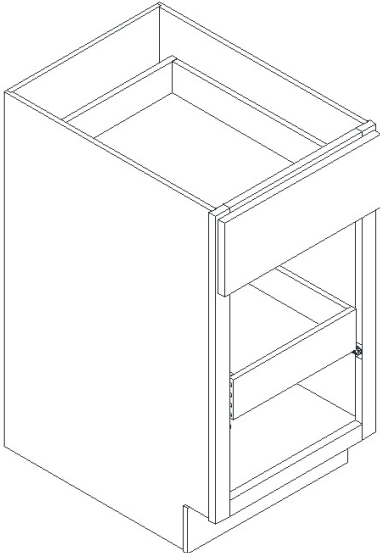
B18 or B24

(4)



Drawer box

(5)



Assembly finish