

[< print this page >](#)

# **WALL DIAGONAL CABINETS ASSEMBLY INSTRUCTIONS (WDC)**

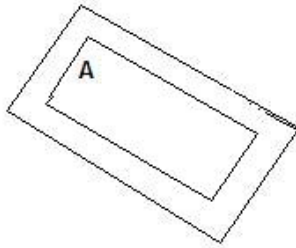
**Parts List:**

A- Door & Face Frame, B- Side Panels (2), C- Side Back Panels (2), D- Back Panel, E- Top and Bottom Panel (2), F-Shelves (2)

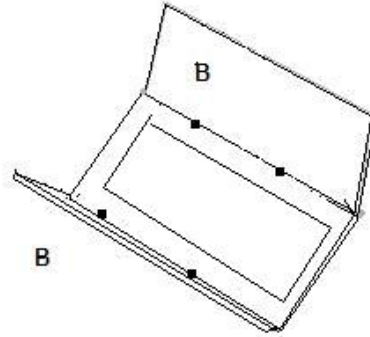
Hardware: L-Brackets, Hinges (smaller L-brackets), Screws, shelf Clips

(There are extra hardware for every cabinet)

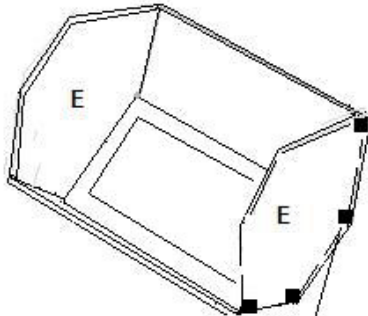
Step 1: lay A face down



Step 2: Attach B with hinges

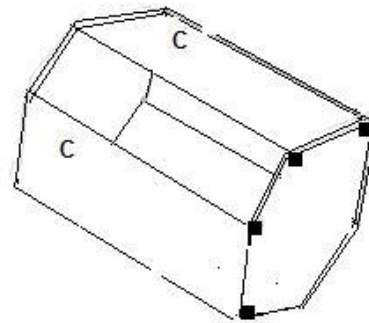


Step 3: slide in top and bottom panels E

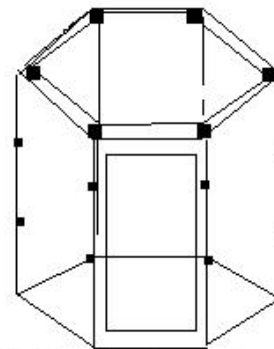
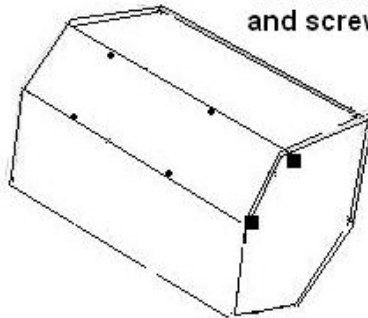


mount L brackets on corners of the bottom outside and top outside of cabinet

Step 4: Attach C panels and brackets



Step 5 slide in panel D and mount L-brackets and screws



Finished cabinet should have 6 L-brackets on top. 6 L-Brackets on bottom. 8 - L hinges on inside of cabinets