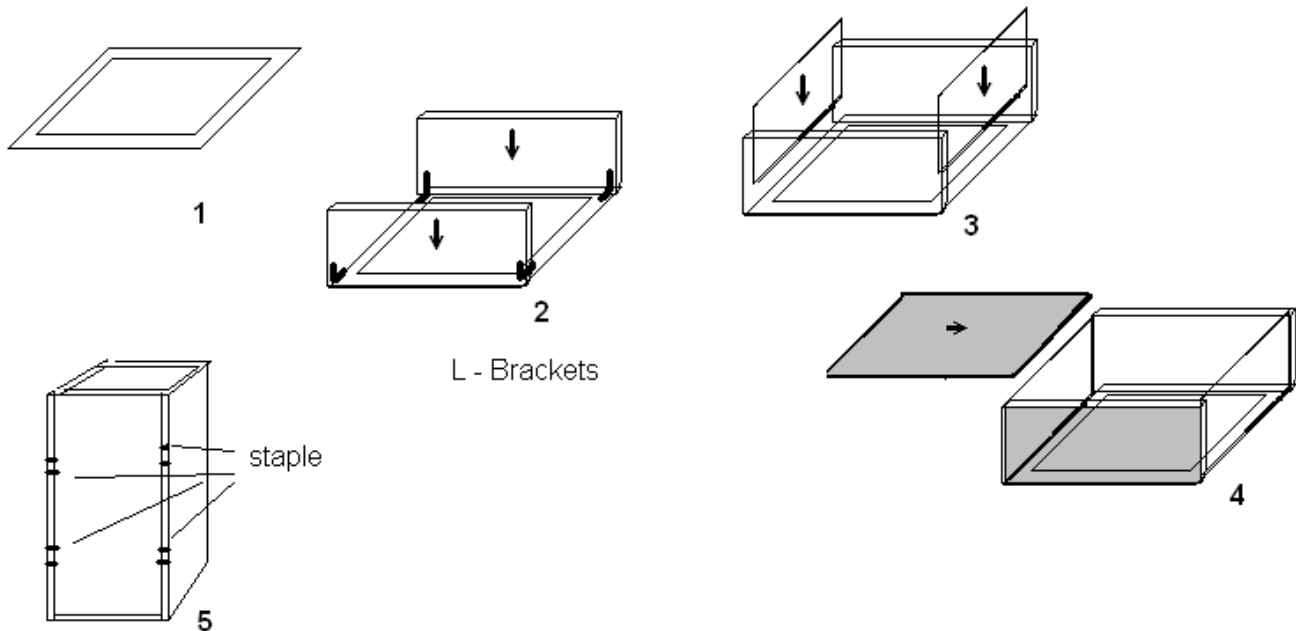


WALL CABINETS



What Tools you would need : we recommend just using a power drill , and a staple gun or cabinetry wood glue (would require more time to assemble, glue needs to dry).

What you will find included : (8) metal L – Brackets (2) Side Panels (1) top panel (1) Bottom panel (1) Back panel (1) front face frame w/ attached door

Step 1 : Take out all the parts from the carton and carefully lay the door face frame with its finished side facing down on a flat soft surface

Step 2 : Take side panels and attach it to the back of face frame with L- Brackets:

Make sure to mount L- Brackets to where it will be on the very top and bottom corner.

Step 3 : Insert top and bottom panels in grooves

Step 4 : Slide the back panel on.(If you are using wood glue method , apply the wood glue now to the end of side panels before sliding the back panel on.)

Step 5 : Attach the remaining L brackets , so you would have a total of 4 brackets on top and 4 brackets on the bottom of cabinet. Then use your staple gun to reinforce sides.wwwww

