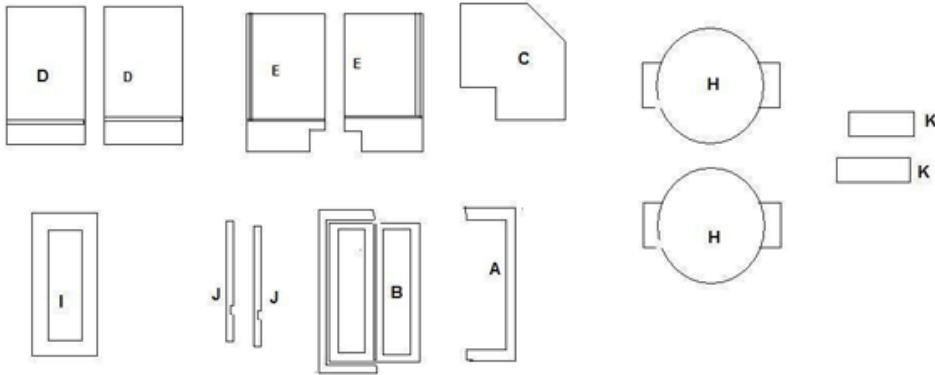



[< print this page >](#)


LAZY SUSAN BASE CABINETS AND DBC3612



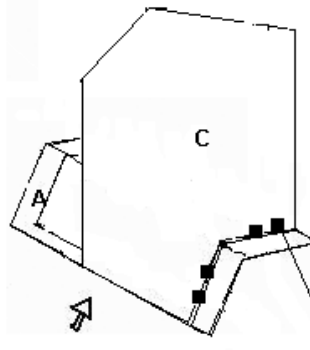
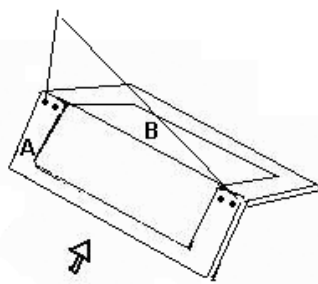
Your cabinet should come with 2 boxes of hard ware. You will have extra pieces left over.

your cabinet should come with 2 boxes of hardwar , you should have left over pieces when done.

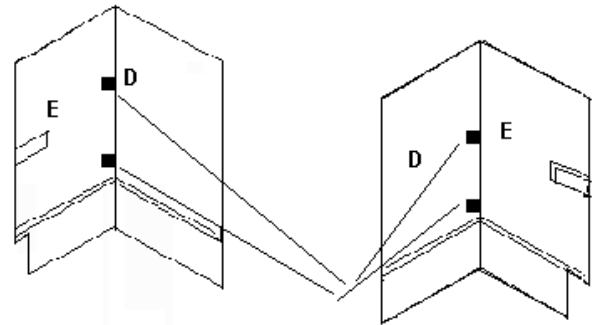
 8 hinges per box

 12 L-Brackets per box

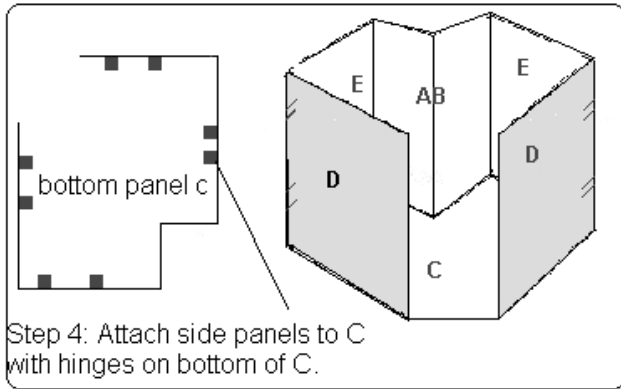
Step 1: Attach A to B with screws



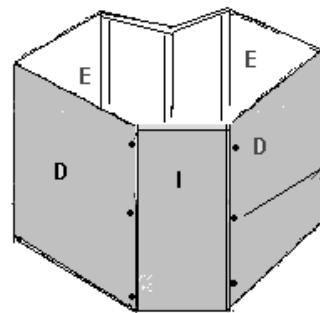
Step 2: Attach bottom panel C to groove with L - Hinges



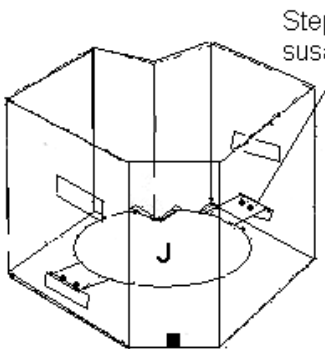
Step 3: Attach D to E with L - hinges



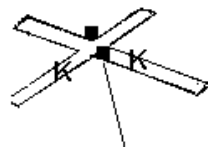
Step 4: Attach side panels to C with hinges on bottom of C.



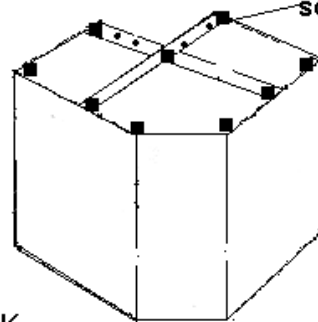
Step 5: Attach panel I to back with screws



Step 6: mount in lazy susan with screws.



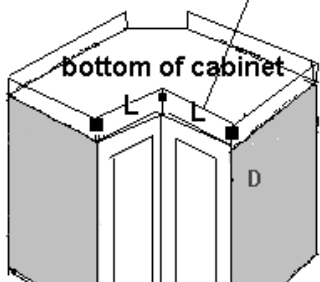
Step 7: Attach K & K with hinge



Step 8: mount K in with screws to door frame.

Make sure hinges are at each corner

Step 9: Attach toe kicks(L) on to bottom of cabinet.



Make sure you have brackets or hinges at every corner of cabinet. top and bottom

