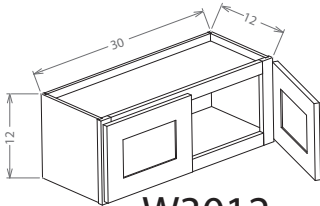
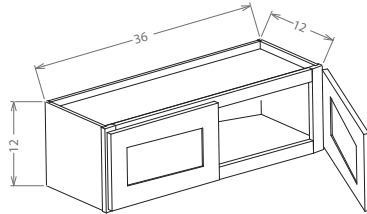


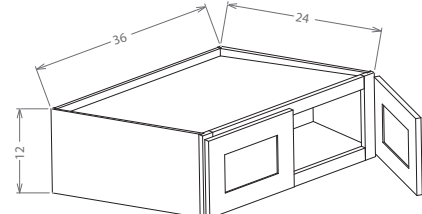
12" High Wall						
Item	Description		Width	Height	Depth	Qty.
W3012	Wall 30x12 (butt doors)	Cabinet Dimension	30	12	12	1
		Door Dimension	14 3/4	11	3/4	2
W3612	Wall 36x12 (butt doors)	Cabinet Dimension	36	12	12	1
		Door Dimension	17 3/4	11	3/4	2
W361224	Wall 36x12x24 (butt doors)	Cabinet Dimension	36	12	24	1
		Door Dimension	11 3/4	11	3/4	2



W3012

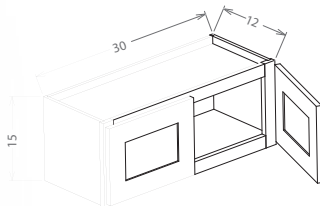


W3612

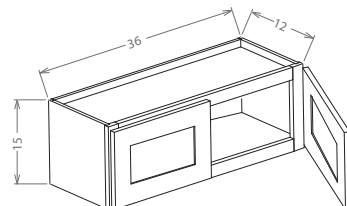


W361224

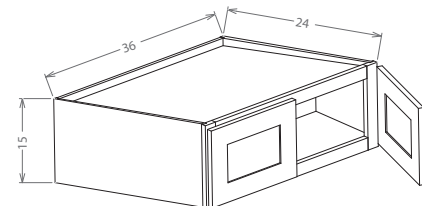
15" High Wall						
Item	Description		Width	Height	Depth	Qty.
W3015	Wall 30x15(butt doors)	Cabinet Dimension	30	15	12	1
		Door Dimension	14 3/4	14	3/4	2
W3615	Wall 36x15(butt doors)	Cabinet Dimension	36	15	12	1
		Door Dimension	17 3/4	14	3/4	2
W361524	Wall 36x15x24 (butt doors)	Cabinet Dimension	36	15	24	1
		Door Dimension	17 3/4	14	3/4	2



W3015

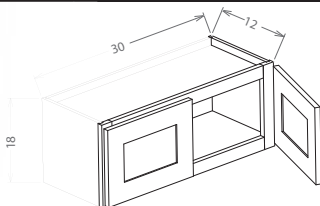


W3615

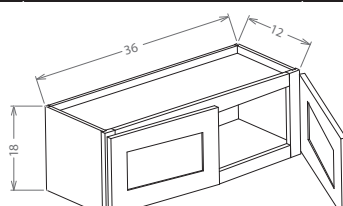


W361524

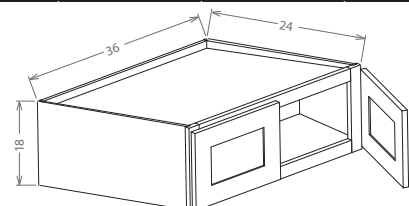
18" High Wall						
Item	Description		Width	Height	Depth	Qty.
W3018	Wall 30x18(butt doors)	Cabinet Dimension	30	18	12	1
		Door Dimension	14 3/4	17	3/4	2
W3618	Wall 36x18(butt doors)	Cabinet Dimension	36	18	12	1
		Door Dimension	17 3/4	17	3/4	2
W361824	Wall 36x18x24(butt doors)	Cabinet Dimension	36	18	24	1
		Door Dimension	17 3/4	17	3/4	2



W3018

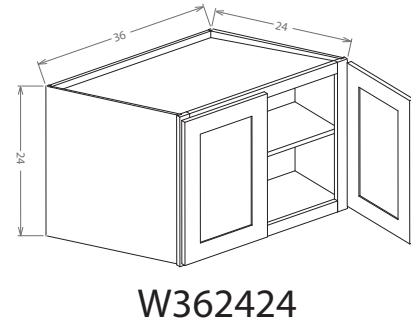
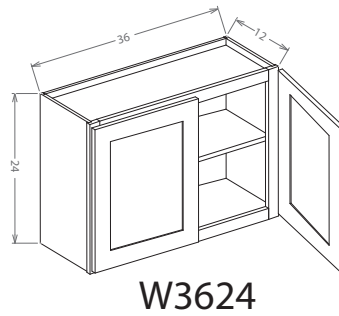
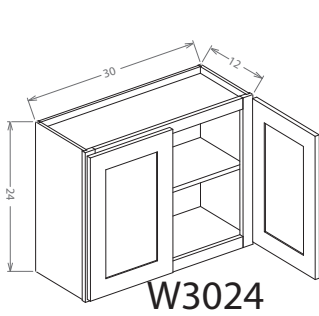


W3618

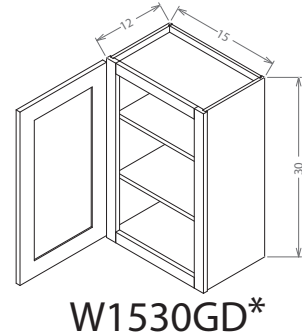
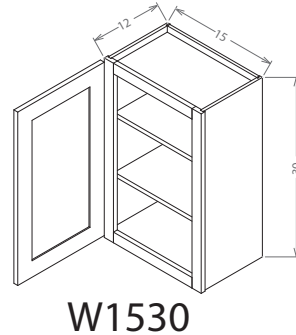
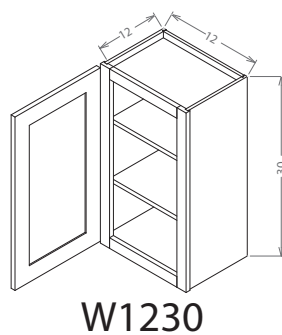
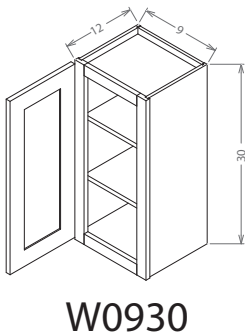


W361824

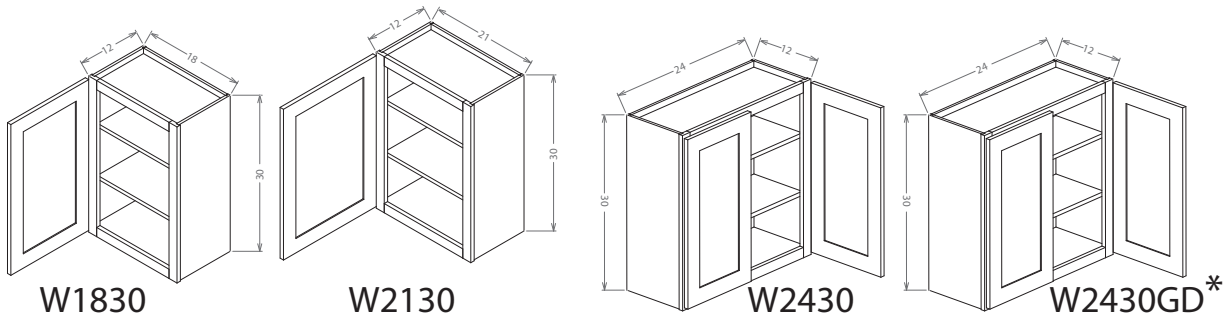
24" High Wall						
Item	Description		Width	Height	Depth	Qty.
W3024	Wall 30x24(butt doors)	Cabinet Dimension	30	24	12	1
		Door Dimension	14 3/4	23	3/4	2
W3624	Wall 36x24(butt doors)	Cabinet Dimension	36	24	12	1
		Door Dimension	17 3/4	23	3/4	2
W362424	Wall 36x24x24(butt doors)	Cabinet Dimension	36	24	24	1
		Door Dimension	17 3/4	23	3/4	2



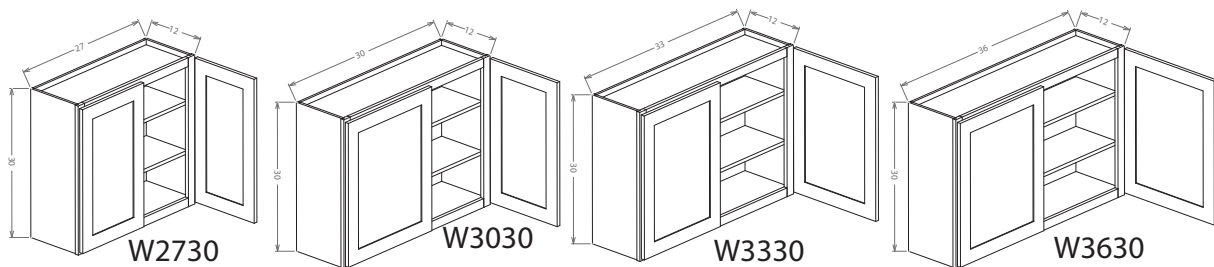
30" High Wall						
Item	Description		Width	Height	Depth	Qty.
W0930	Wall 9x30	Cabinet Dimension	9	30	12	1
		Door Dimension	8 1/2	29	3/4	1
W1230	Wall 12x30	Cabinet Dimension	12	30	12	1
		Door Dimension	11 1/2	29	3/4	1
W1530	Wall 15x30	Cabinet Dimension	15	30	12	1
		Door Dimension	14 1/2	29	3/4	1
W1530GD*	Wall 15x30 (door prepared for glass, glass not included)	Cabinet Dimension	15	30	12	1
		Door Dimension	14 1/2	29	3/4	1



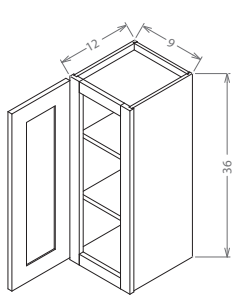
30" High Wall (continued)						
Item	Description		Width	Height	Depth	Qty.
W1830	Wall 18x30	Cabinet Dimension	18	30	12	1
		Door Dimension	17 1/2	29	3/4	1
W2130	Wall 21x30	Cabinet Dimension	21	30	12	1
		Door Dimension	20 1/2	29	3/4	1
W2430	Wall 24x30(butt doors)	Cabinet Dimension	24	30	12	1
		Door Dimension	11 3/4	29	3/4	2
W2430GD*	Wall 24x30(butt doors) (door prepared for glass, glass not included)	Cabinet Dimension	24	30	12	1
		Door Dimension	11 3/4	29	3/4	2



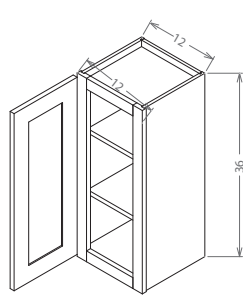
30" High Wall (continued)						
Item	Description		Width	Height	Depth	Qty.
W2730	Wall 27x30(butt doors)	Cabinet Dimension	27	30	12	1
		Door Dimension	13 2/9	29	3/4	2
W3030	Wall 30x30(butt doors)	Cabinet Dimension	30	30	12	1
		Door Dimension	14 5/7	29	3/4	2
W3330	Wall 33x30(butt doors)	Cabinet Dimension	33	30	12	1
		Door Dimension	16 2/9	29	3/4	2
W3630	Wall 36x30(butt doors)	Cabinet Dimension	36	30	12	1
		Door Dimension	17 5/7	29	3/4	2



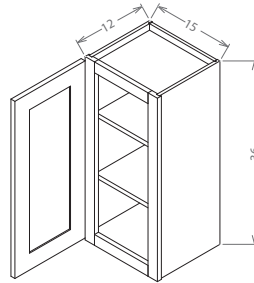
36" High Wall						
Item	Description		Width	Height	Depth	Qty.
W0936	Wall 9x36	Cabinet Dimension	9	36	12	1
		Door Dimension	8 1/2	35	3/4	1
W1236	Wall 12x36	Cabinet Dimension	12	36	12	1
		Door Dimension	11 1/2	35	3/4	1
W1536	Wall 15x36	Cabinet Dimension	15	36	12	1
		Door Dimension	14 1/2	35	3/4	1
W1536GD*	Wall 15x36 (door prepared for glass, glass not included)	Cabinet Dimension	15	36	12	1
		Door Dimension	14 1/2	35	3/4	1



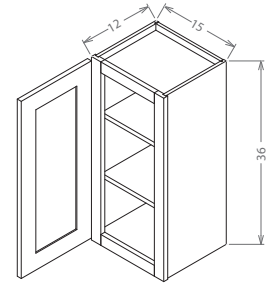
W0936



W1236

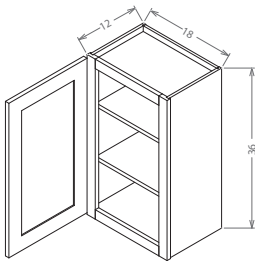


W1536

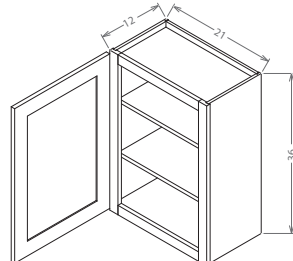


W1536GD*

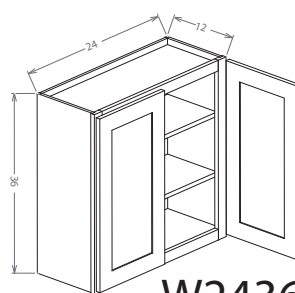
36" High Wall (continued)						
Item	Description		Width	Height	Depth	Qty.
W1836	Wall 18x36	Cabinet Dimension	18	36	12	1
		Door Dimension	17 1/2	35	3/4	1
W2136	Wall 21x36	Cabinet Dimension	21	36	12	1
		Door Dimension	20 1/2	35	3/4	1
W2436	Wall 24x36(butt doors)	Cabinet Dimension	24	36	12	1
		Door Dimension	11 3/4	35	3/4	2
W2436GD*	Wall 24x36(butt doors) (door prepared for glass, glass not included)	Cabinet Dimension	24	36	12	1
		Door Dimension	11 3/4	35	3/4	2



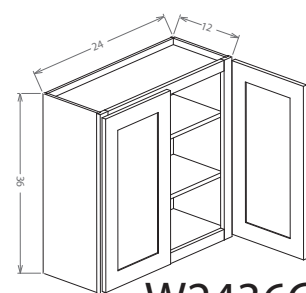
W1836



W2136

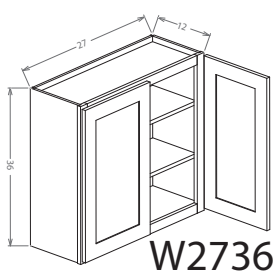


W2436

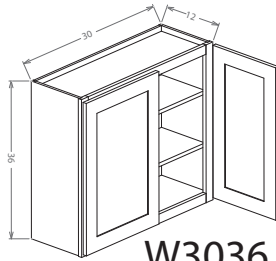


W2436GD*

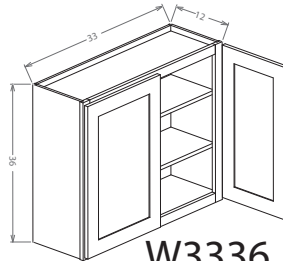
36" High Wall (continued)						
Item	Description		Width	Height	Depth	Qty.
W2736	Wall 27x36(butt doors)	Cabinet Dimension	27	36	12	1
		Door Dimension	13 1/4	35	3/4	2
W3036	Wall 30x36(butt doors)	Cabinet Dimension	30	36	12	1
		Door Dimension	14 3/4	35	3/4	2
W3336	Wall 33x36(butt doors)	Cabinet Dimension	33	36	12	1
		Door Dimension	16 1/4	35	3/4	2
W3636	Wall 36x36(butt doors)	Cabinet Dimension	36	36	12	1
		Door Dimension	17 3/4	35	3/4	2



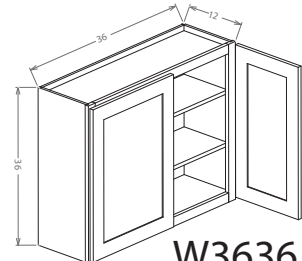
W2736



W3036

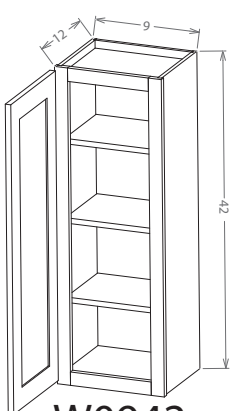


W3336

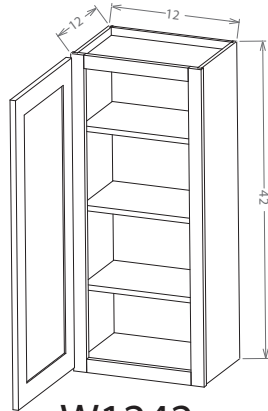


W3636

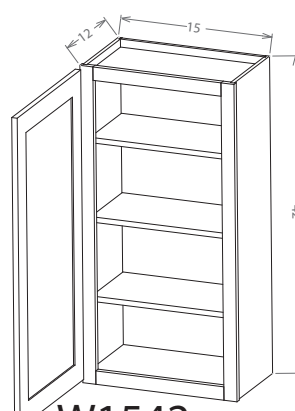
42" High Wall (continued)						
Item	Description		Width	Height	Depth	Qty.
W0942	Wall 9x42	Cabinet Dimension	9	42	12	1
		Door Dimension	8 1/2	41	3/4	1
W1242	Wall 12x42	Cabinet Dimension	12	42	12	1
		Door Dimension	11 1/2	41	3/4	1
W1542	Wall 15x42	Cabinet Dimension	15	42	12	1
		Door Dimension	14 1/2	41	3/4	1
W1542GD*	Wall 15x42 (door prepared for glass, glass not included)	Cabinet Dimension	15	42	12	1
		Door Dimension	14 1/2	41	3/4	1



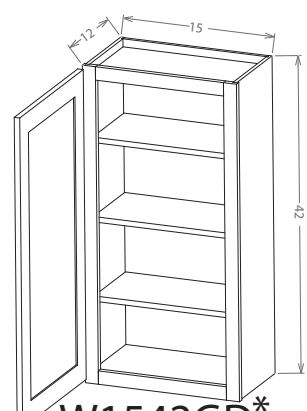
W0942



W1242

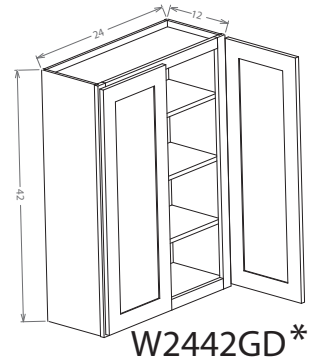
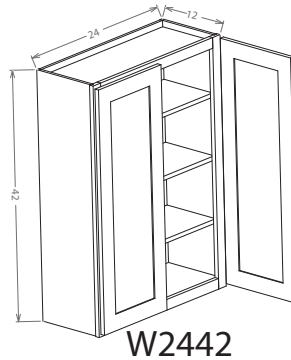
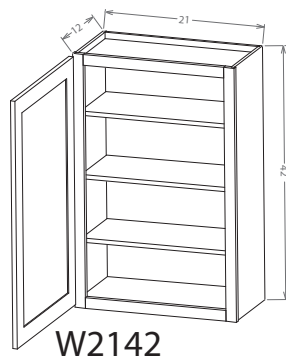
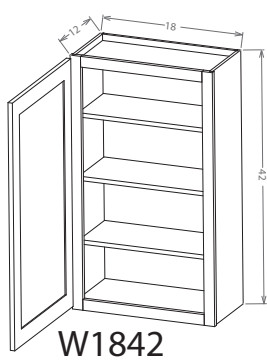


W1542

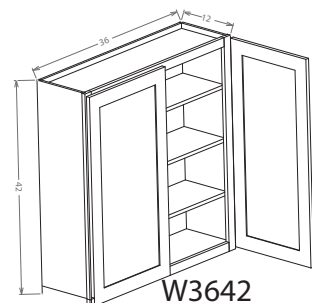
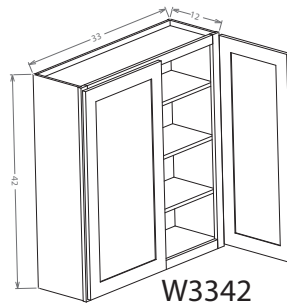
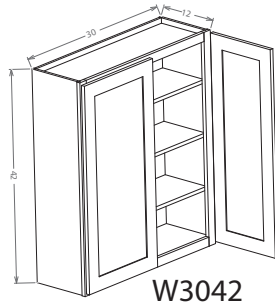
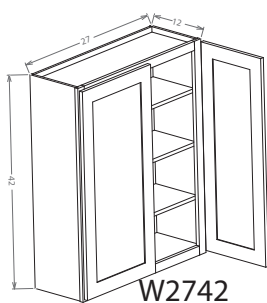


W1542GD*

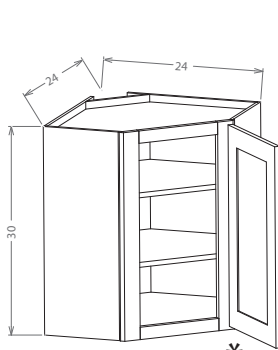
42" High Wall (continued)						
Item	Description		Width	Height	Depth	Qty.
W1842	Wall 18x42	Cabinet Dimension	18	42	12	1
		Door Dimension	17 1/2	41	3/4	1
W2142	Wall 21x42	Cabinet Dimension	21	42	12	1
		Door Dimension	20 1/2	41	3/4	1
W2442	Wall 24x42	Cabinet Dimension	24	42	12	1
		Door Dimension	11 3/4	41	3/4	2
W2442GD*	Wall 24x42(butt doors) (door prepared for glass, glass not included)	Cabinet Dimension	24	42	12	1
		Door Dimension	11 3/4	41	3/4	2



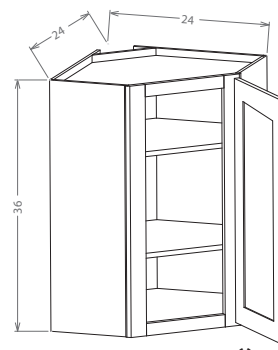
42" High Wall (continued)						
Item	Description		Width	Height	Depth	Qty.
W2742	Wall 27x42(butt doors)	Cabinet Dimension	27	42	12	1
		Door Dimension	13 1/4	41	3/4	2
W3042	Wall 30x42(butt doors)	Cabinet Dimension	30	42	12	1
		Door Dimension	14 3/4	41	3/4	2
W3342	Wall 33x42(butt doors)	Cabinet Dimension	33	42	12	1
		Door Dimension	16 1/4	41	3/4	2
W3642	Wall 36x42(butt doors)	Cabinet Dimension	36	42	12	1
		Door Dimension	17 3/4	41	3/4	2



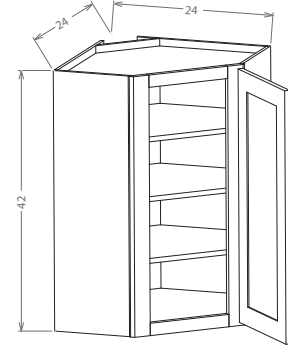
Diagonal Corner Wall						
Item	Description		Width	Height	Depth	Qty.
DCW2430	Diagonal Corner Wall	Cabinet Dimension	24	30	24	1
		Door Dimension	15 1/4	29	3/4	1
* DCW2430GD	Diagonal Corner Wall GD (door prepared for glass, glass not included)	Cabinet Dimension	24	30	24	1
		Door Dimension	15 1/4	29	3/4	1
DCW2436	Diagonal Corner Wall	Cabinet Dimension	24	36	24	1
		Door Dimension	15 1/4	35	3/4	1
* DCW2436GD	Diagonal Corner Wall GD (door prepared for glass, glass not included)	Cabinet Dimension	24	36	24	1
		Door Dimension	15 1/4	35	3/4	1
DCW2442	Diagonal Corner Wall	Cabinet Dimension	24	42	24	1
		Door Dimension	15 1/4	41	3/4	1
* DCW2442GD	Diagonal Corner Wall GD (door prepared for glass, glass not included)	Cabinet Dimension	24	42	24	1
		Door Dimension	15 1/4	41	3/4	1



DCW2430*

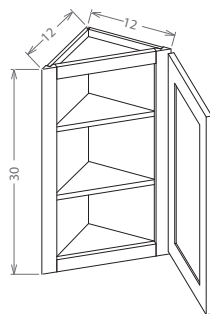


DCW2436*

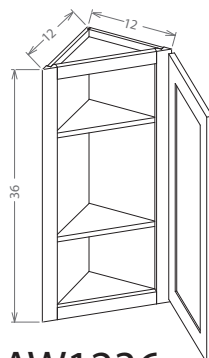


DCW2442*

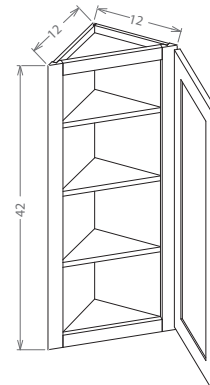
Angle Wall Cabinets						
Item	Description		Width	Height	Depth	Qty.
AW1230	Angle Wall	Cabinet Dimension	17	30	12	1
		Door Dimension	16 1/8	29	3/4	1
AW1236	Angle Wall	Cabinet Dimension	17	36	12	1
		Door Dimension	16 1/8	35	3/4	1
AW1242	Angle Wall	Cabinet Dimension	17	42	12	1
		Door Dimension	16 1/8	41	3/4	1



AW1230

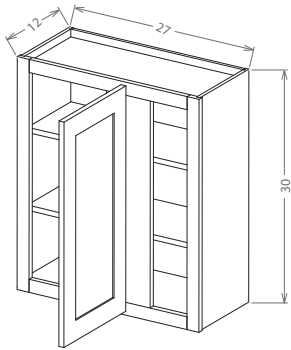


AW1236

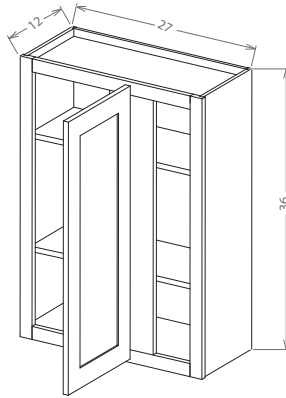


AW1242

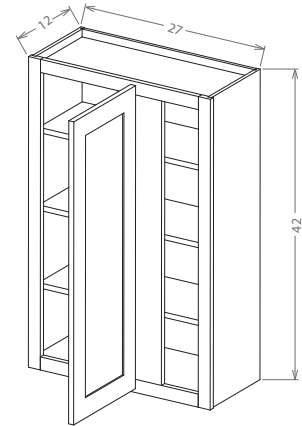
Wall Blind Corner						
Item	Description		Width	Height	Depth	Qty.
WBC2730**	Wall Blind Corner **Install range 28"min 31"max	Cabinet Dimension	27	30	12	1
		Door Dimension	14 1/2	29	3/4	1
WBC2736**	Wall Blind Corner **Install range 28"min 31"max	Cabinet Dimension	27	36	12	1
		Door Dimension	14 1/2	35	3/4	1
WBC2742**	Wall Blind Corner **Install range 28"min 31"max	Cabinet Dimension	27	42	12	1
		Door Dimension	14 1/2	41	3/4	1



WBC2730**

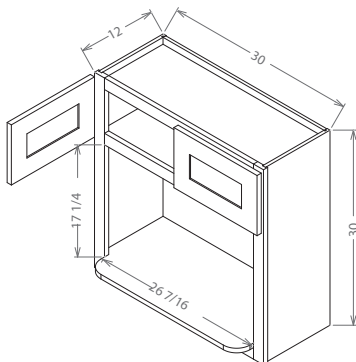


WBC2736**

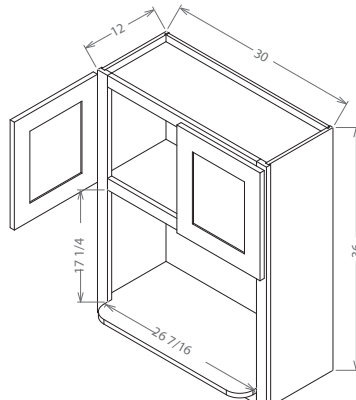


WBC2742**

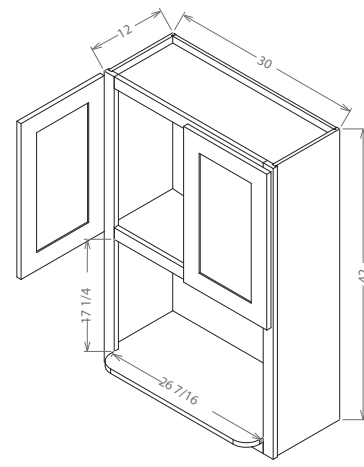
Microwave Oven Cabinet						
Item	Description		Width	Height	Depth	Qty.
MO3030***	Microwave Oven Cabinet *** Finished Interior	Cabinet Dimension	30	30	12	1
		Door Dimension	14 5/7	9 1/4	3/4	2
		Open Dimension: 26 7/16*17 1/4				
MO3036***	Microwave Oven Cabinet ***Finished Interior	Cabinet Dimension	30	36	12	1
		Door Dimension	14 5/7	15 1/4	3/4	2
		Open Dimension: 26 7/16*17 1/4				
MO3042***	Microwave Oven Cabinet *** Finished Interior	Cabinet Dimension	30	42	12	1
		Door Dimension	14 5/7	21 1/4	3/4	2
		Open Dimension: 26 7/16*17 1/4				



MO3030***

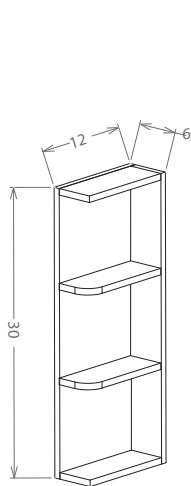


MO3036***

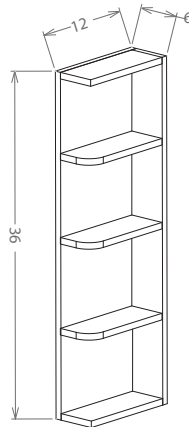


MO3042***

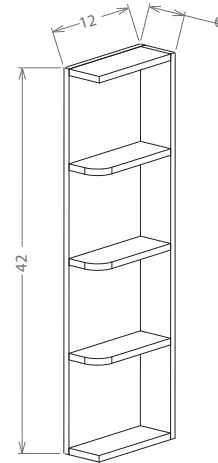
Open End Cabinets						
Item	Description		Width	Height	Depth	Qty.
OE0630	Open End 0630	Cabinet Dimension	6	30	12	1
OE0636	Open End 0636	Cabinet Dimension	6	36	12	1
OE0642	Open End 0642	Cabinet Dimension	6	42	12	1



OE0630

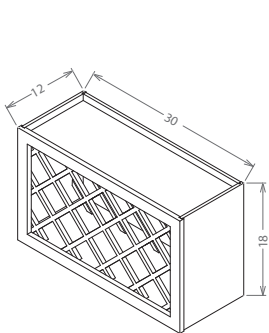


OE0636

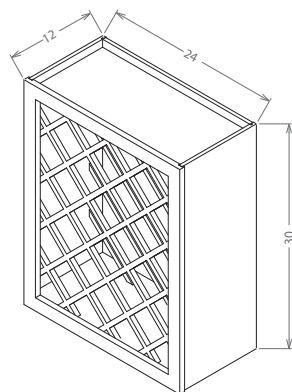


OE0642

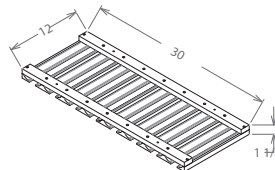
Accessories						
Item	Description		Width	Height	Depth	Qty.
SGH30	Stem Glass Holder	Dimension	30	1 1/2	12	1
WRC2430***	Wine Rack Cabinet 24x30 *** Finished Interior	Dimension	24	30	12	1
WRC3018***	Wine Rack Cabinet 30x18 *** Finished Interior	Dimension	30	18	12	1
PR3015***	Plate Rack *** Finished Interior	Dimension	30	15	12	1



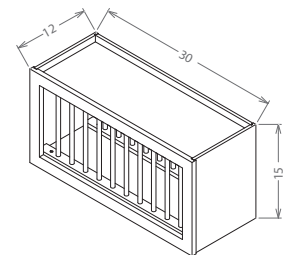
WRC3018***



WRC2430***

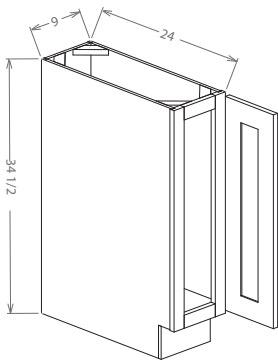


SGH30

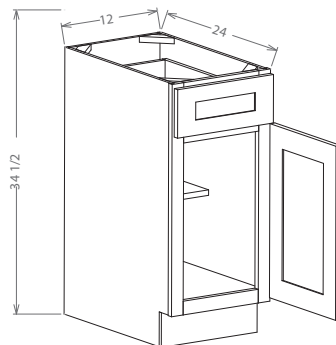


PR3015***

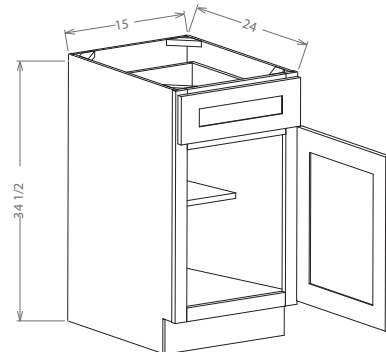
Base Cabinets						
Item	Description		Width	Height	Depth	Qty.
BT9	Base Tray 9	Cabinet Dimension	9	34 1/2	24	1
		Door Dimension	8 1/2	29	3/4	1
B12	Base 12	Cabinet Dimension	12	34 1/2	24	1
		Door Dimension	11 1/2	22 1/2	3/4	1
		Drawer Front	11 1/2	6 1/4	3/4	1
		Drawer Box	8	3 1/4	20 3/8	1
B15	Base 15	Cabinet Dimension	15	34 1/2	24	1
		Door Dimension	14 1/2	22 1/2	3/4	1
		Drawer Front	14 1/2	6 1/4	3/4	1
		Drawer Box	11	3 1/4	20 3/8	1
B18	Base 18	Cabinet Dimension	18	34 1/2	24	1
		Door Dimension	17 1/2	22 1/2	3/4	1
		Drawer Front	17 1/2	6 1/4	3/4	1
		Drawer Box	14	3 1/4	20 3/8	1
B21	Base 21	Cabinet Dimension	21	34 1/2	24	1
		Door Dimension	20 1/2	22 1/2	3/4	1
		Drawer Front	20 1/2	6 1/4	3/4	1
		Drawer Box	17	3 1/4	20 3/8	1



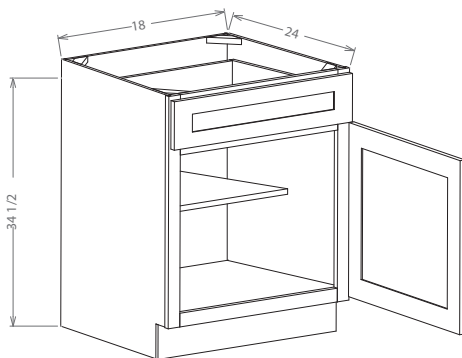
BT9



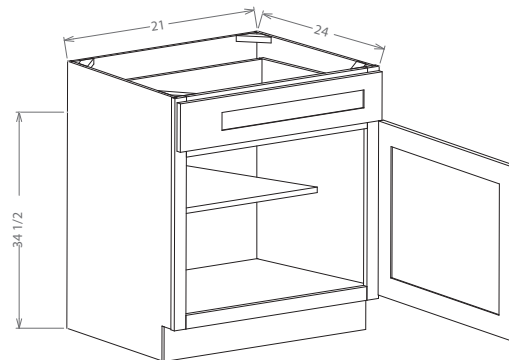
B12



B15

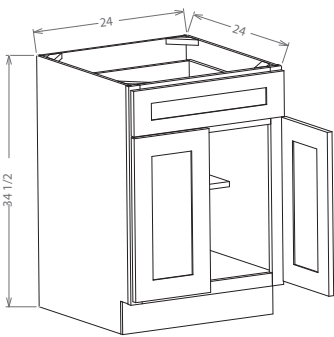


B18

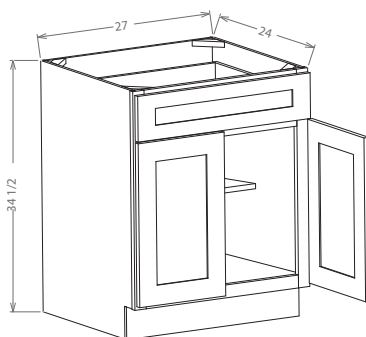


B21

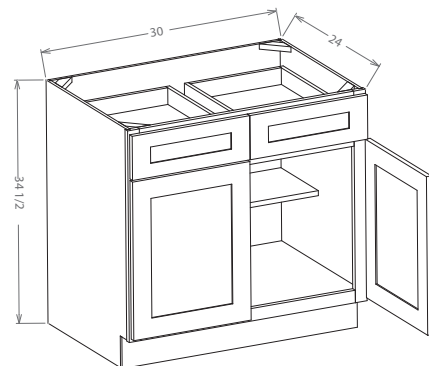
Base Cabinets (continued)						
Item	Description		Width	Height	Depth	Qty.
B24	Base 24(butt doors)	Cabinet Dimension	24	34 1/2	24	1
		Door Dimension	11 3/4	22 1/2	3/4	2
		Drawer Front	23 1/2	6 1/4	3/4	1
		Drawer Box	20	3 1/4	20 3/8	1
B27	Base 27(butt doors)	Cabinet Dimension	27	34 1/2	24	1
		Door Dimension	13 1/4	22 1/2	3/4	2
		Drawer Front	26 1/2	6 1/4	3/4	1
		Drawer Box	23	3 1/4	20 3/8	1
B30	Base 30(butt doors)	Cabinet Dimension	30	34 1/2	24	1
		Door Dimension	14 3/4	22 1/2	3/4	2
		Drawer Front	14 3/4	6 1/4	3/4	2
		Drawer Box	12	3 1/4	20 3/8	2
B33	Base 33(butt doors)	Cabinet Dimension	33	34 1/2	24	1
		Door Dimension	16 1/4	22 1/2	3/4	2
		Drawer Front	16 1/4	6 1/4	3/4	2
		Drawer Box	13 1/2	3 1/4	20 3/8	2
B36	Base 36(butt doors)	Cabinet Dimension	36	34 1/2	24	1
		Door Dimension	17 3/4	22 1/2	3/4	2
		Drawer Front	17 3/4	6 1/4	3/4	2
		Drawer Box	15	3 1/4	20 3/8	2
SB36	Sink Base 36(butt doors)	Cabinet Dimension	36	34 1/2	24	1
		Door Dimension	17 3/4	22 1/2	3/4	2
		Drawer Front	17 3/4	6 1/4	3/4	2



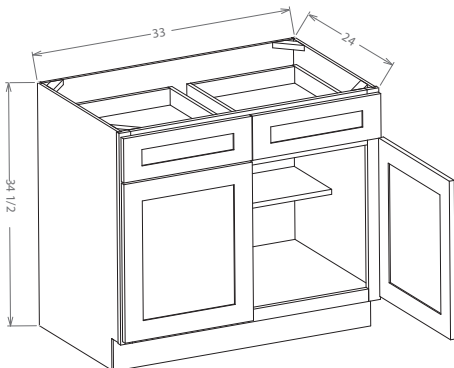
B24



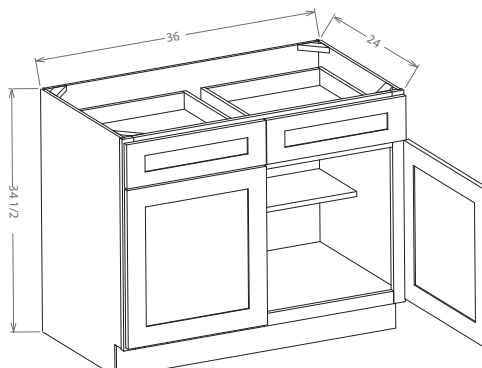
B27



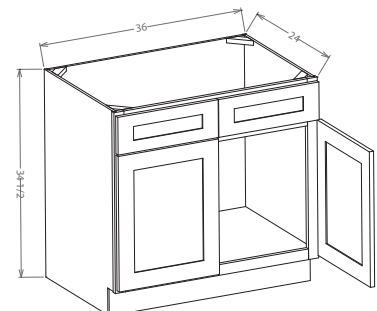
B30



B33

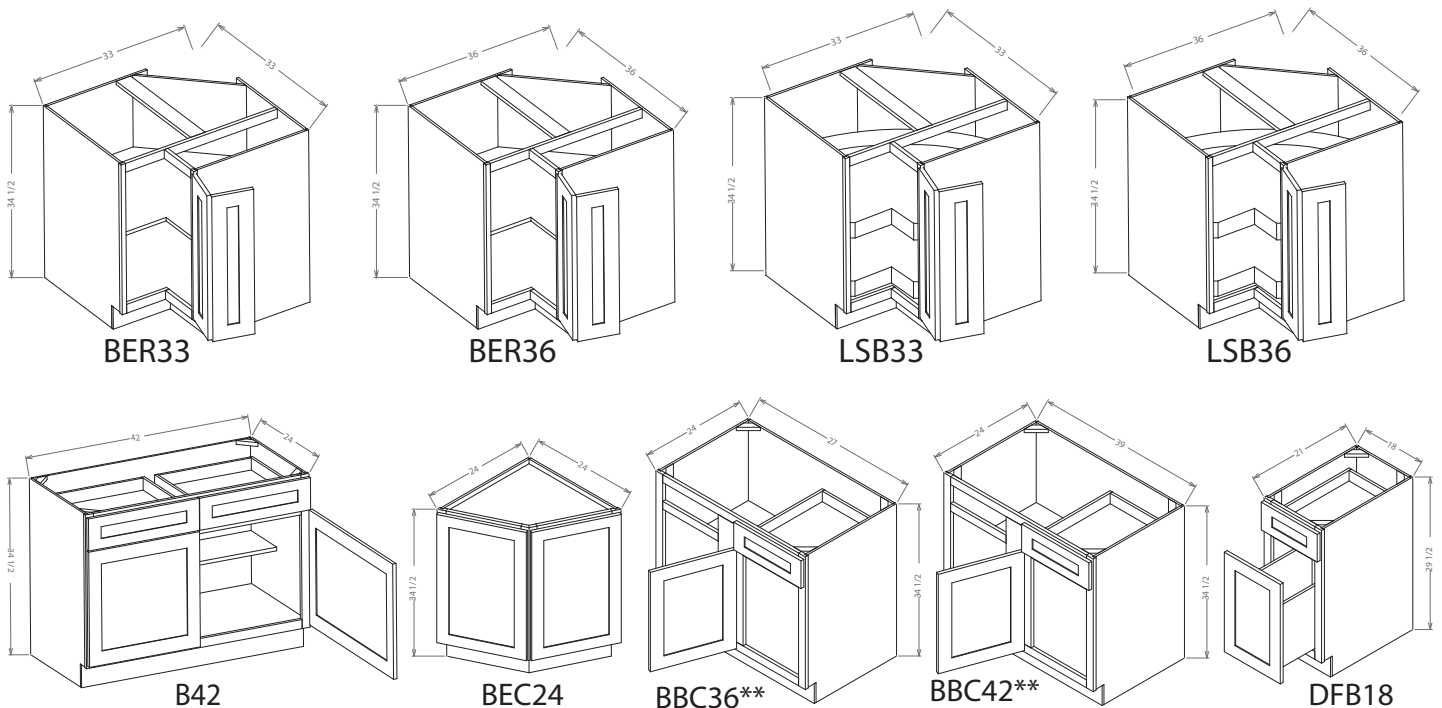


B36



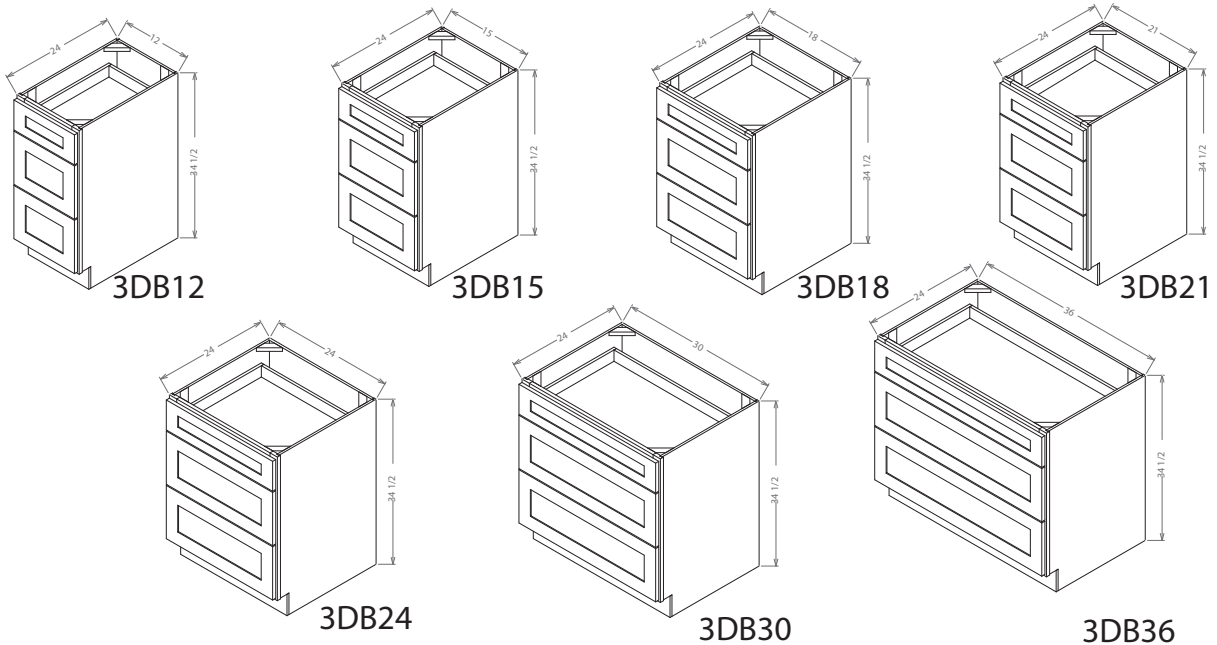
SB36

Base Cabinets (continued)						
Item	Description		Width	Height	Depth	Qty.
B42	Base 42	Cabinet Dimension	42	34 1/2	24	1
		Door Dimension	20 3/4	22 1/2	3/4	2
		Drawer Front	20 3/4	6 1/4	3/4	2
		Drawer Box	18	3 1/4	21	2
BER33	Base Easy Reach	Cabinet Dimension	33	34 1/2	33	1
		Door Dimension	7 5/8	29	3/4	2
BER36	Base Easy Reach	Cabinet Dimension	36	34 1/2	36	1
		Door Dimension	10 5/8	29	3/4	2
LSB33	Lazy Susan Base Metal Basket	Cabinet Dimension	33	34 1/2	33	1
		Door Dimension	7 5/8	29	3/4	2
LSB36	Lazy Susan Base Metal Basket	Cabinet Dimension	36	34 1/2	36	1
		Door Dimension	10 5/8	29	3/4	2
BEC24	Base End 24	Cabinet Dimension	24	34 1/2	24	1
		Door Dimension	17 1/2	29	3/4	2
BBC36**	Blind Base Corner 36 Install range 37"min 40"max	Cabinet Dimension	27	34 1/2	24	1
		Door Dimension	11 1/2	22 1/2	3/4	1
		Drawer Front	11 1/2	6 1/4	3/4	1
		Drawer Box	8	3 3/8	20 3/8	1
BBC42**	Blind Base corner 42 Install range 43"min 46"max	Cabinet Dimension	39	34 1/2	24	1
		Door Dimension	17 1/2	22 1/2	3/4	1
		Drawer Front	17 1/2	6 1/4	3/4	1
		Drawer Box	14	3 3/8	20 3/8	1
DFB18	Drawer File Base	Cabinet Dimension	18	29 1/2	21	1
		Top Drawer Front	17 1/2	6 1/4	3/4	1
		Bottom Drawer Front	17 1/2	17 1/2	3/4	1
		Top Drawer Box	14	3 3/8	17 3/8	1
		Bottom Drawer Box	14	14 1/4	17 3/8	1

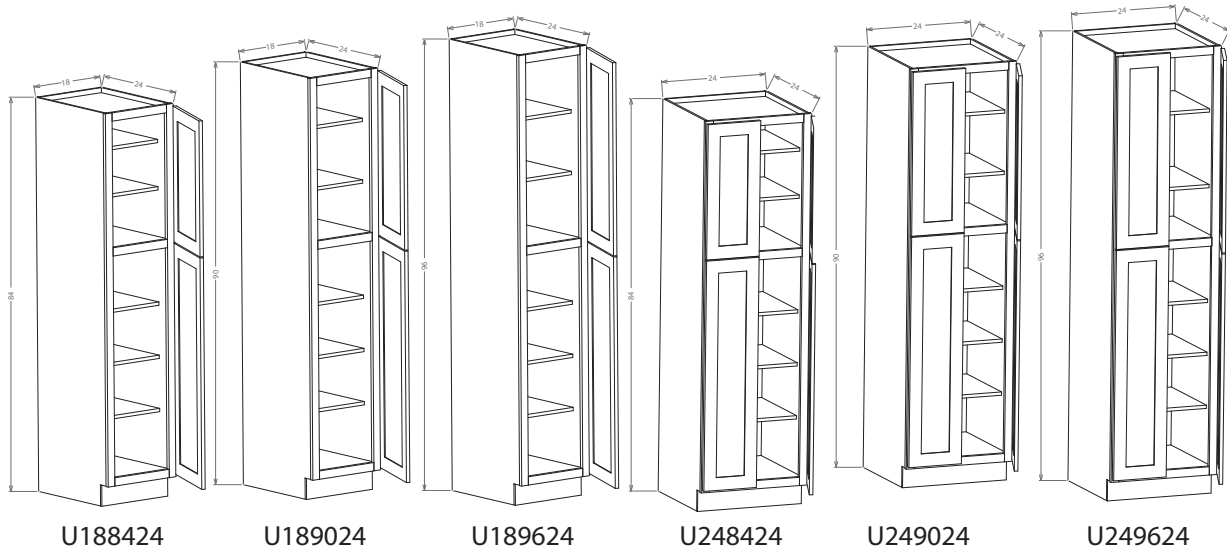


Base Cabinets (continued)

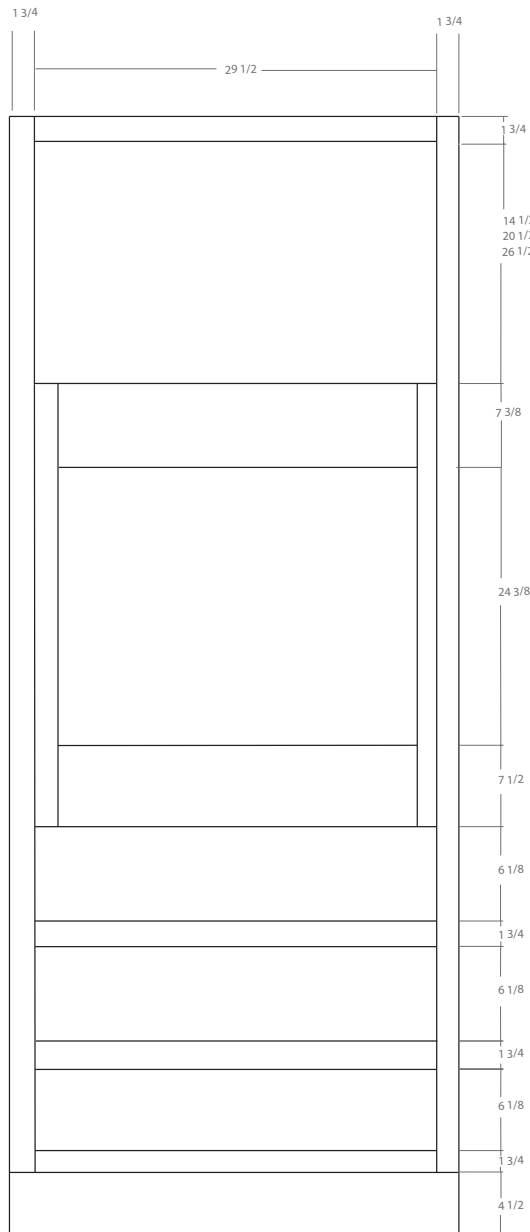
Item	Description	Width	Height	Depth	Qty.	
3DB12	12" 3 Drawer Base	Cabinet Dimension	12	34 1/2	24	1
		Top Drawer Front	11 1/2	6 1/4	3/4	1
		Bottom Drawer Front	11 1/2	11 1/8	3/4	2
		Top Drawer Box	8	3 3/8	20 3/8	1
		Bottom Drawer Box	8	8 1/4	20 3/8	2
3DB15	15" 3 Drawer Base	Cabinet Dimension	15	34 1/2	24	1
		Top Drawer Front	14 1/2	6 1/4	3/4	1
		Bottom Drawer Front	14 1/2	11 1/8	3/4	2
		Top Drawer Box	11	3 3/8	20 3/8	1
		Bottom Drawer Box	11	8 1/4	20 3/8	2
3DB18	18" 3 Drawer Base	Cabinet Dimension	18	34 1/2	24	1
		Top Drawer Front	17 1/2	6 1/4	3/4	1
		Bottom Drawer Front	17 1/2	11 1/8	3/4	2
		Top Drawer Box	14	3 3/8	20 3/8	1
		Bottom Drawer Box	14	8 1/4	20 3/8	2
3DB21	21" 3 Drawer Base	Cabinet Dimension	18	34 1/2	24	1
		Top Drawer Front	20 1/2	6 1/4	3/4	1
		Bottom Drawer Front	20 1/2	11 1/8	3/4	2
		Top Drawer Box	17	3 3/8	20 3/8	1
		Bottom Drawer Box	17	8 1/4	20 3/8	2
3DB24	24" 3 Drawer Base	Cabinet Dimension	24	34 1/2	24	1
		Top Drawer Front	23 1/2	6 1/4	3/4	1
		Bottom Drawer Front	23 1/2	11 1/8	3/4	2
		Top Drawer Box	20	3 3/8	20 3/8	1
		Bottom Drawer Box	20	8 1/4	20 3/8	2
3DB30	30" 3 Drawer Base	Cabinet Dimension	30	34 1/2	24	1
		Top Drawer Front	29 1/2	6 1/4	3/4	1
		Bottom Drawer Front	29 1/2	11 1/8	3/4	2
		Top Drawer Box	26	3 3/8	20 3/8	1
		Bottom Drawer Box	26	8 1/4	20 3/8	2
3DB36	36" 3 Drawer Base	Cabinet Dimension	36	34 1/2	24	1
		Top Drawer Front	35 1/2	6 1/4	3/4	1
		Bottom Drawer Front	35 1/2	11 1/8	3/4	2
		Top Drawer Box	32	3 3/8	20 3/8	1
		Bottom Drawer Box	32	8 1/4	20 3/8	2



Utility Cabinets							
Item	Description	Width	Height	Depth	Qty.		
U188424	Utility 18x84x24	Cabinet Dimension	18	84	24	1	
		Top Door Dimension	17 1/2	29	3/4	1	
		Bottom Door Dimension	17 1/2	49 1/4	3/4	1	
U189024	Utility 18x90x24	Cabinet Dimension	18	90	24	1	
		Top Door Dimension	17 1/2	35	3/4	1	
		Bottom Door Dimension	17 1/2	49 1/4	3/4	1	
U189624	Utility 18x96x24	Cabinet Dimension	18	96	24	1	
		Top Door Dimension	17 1/2	41	3/4	1	
		Bottom Door Dimension	17 1/2	49 1/4	3/4	1	
U248424	Utility 24x84x24(butt doors)	Cabinet Dimension	24	84	24	1	
		Top Door Dimension	11 3/4	29	3/4	2	
		Bottom Door Dimension	11 3/4	49 1/4	3/4	2	
U249024	Utility 24x90x24(butt doors)	Cabinet Dimension	24	90	24	1	
		Top Door Dimension	11 3/4	35	3/4	2	
		Bottom Door Dimension	11 3/4	49 1/4	3/4	2	
U249624	Utility 24x96x24(butt doors)	Cabinet Dimension	24	96	24	1	
		Top Door Dimension	11 3/4	41	3/4	2	
		Bottom Door Dimension	11 3/4	49 1/4	3/4	2	

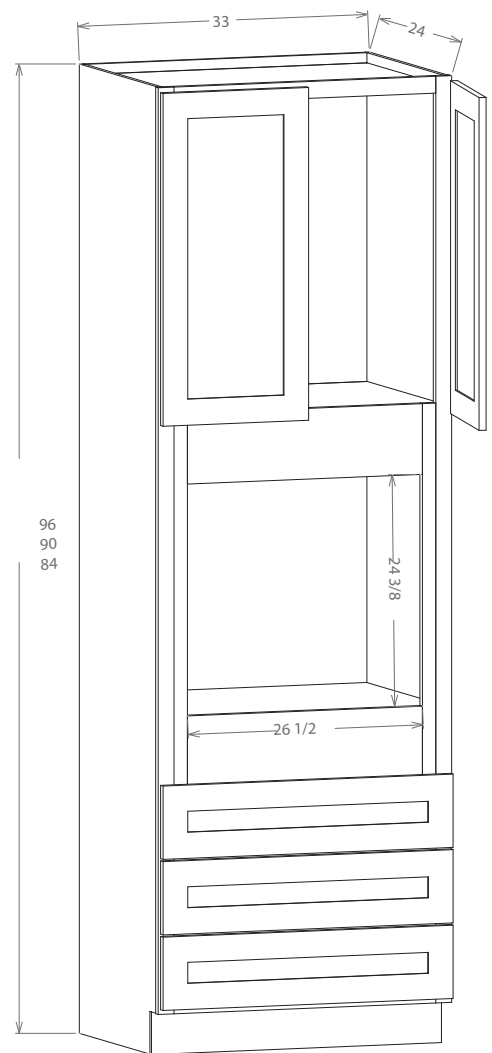


Utility Oven Cabinets							
Item	Description	Width	Height	Depth	Qty.		
O338424	Single Oven 33x84x24	Cabinet Dimension	33	84	24	1	
		Door Dimension	16 1/4	17	3/4	2	
		Drawer Front	32 1/2	7 3/4	3/4	3	
		Drawer Box	29	5 1/8	20 3/8	3	
		Open Dimension: 26 1/2*24 3/8					
O339024	Single Oven 33x90x24	Cabinet Dimension	33	90	24	1	
		Door Dimension	16 1/4	23	3/4	2	
		Drawer Front	32 1/2	7 3/4	3/4	3	
		Drawer Box	29	5 1/8	20 3/8	3	
		Open Dimension: 26 1/2*24 3/8					
O339624	Single Oven 33x96x24	Cabinet Dimension	33	96	24	1	
		Door Dimension	16 1/4	29	3/4	2	
		Drawer Front	32 1/2	7 3/4	3/4	3	
		Drawer Box	29	5 1/8	20 3/8	3	
		Open Dimension: 26 1/2*24 3/8					

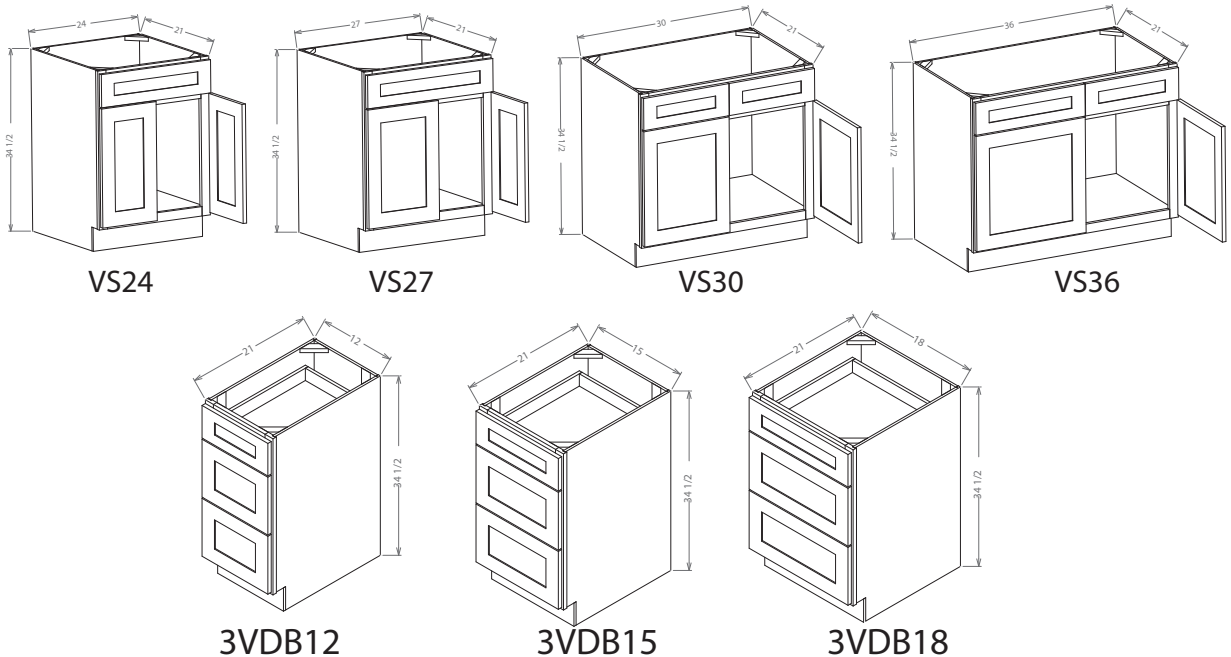


O339624
O339024
O338424

Oven Cabinet face-frame can be modified to fit a second oven unit or microwave unit by removing drawer boxes and pieces of the face-frame.

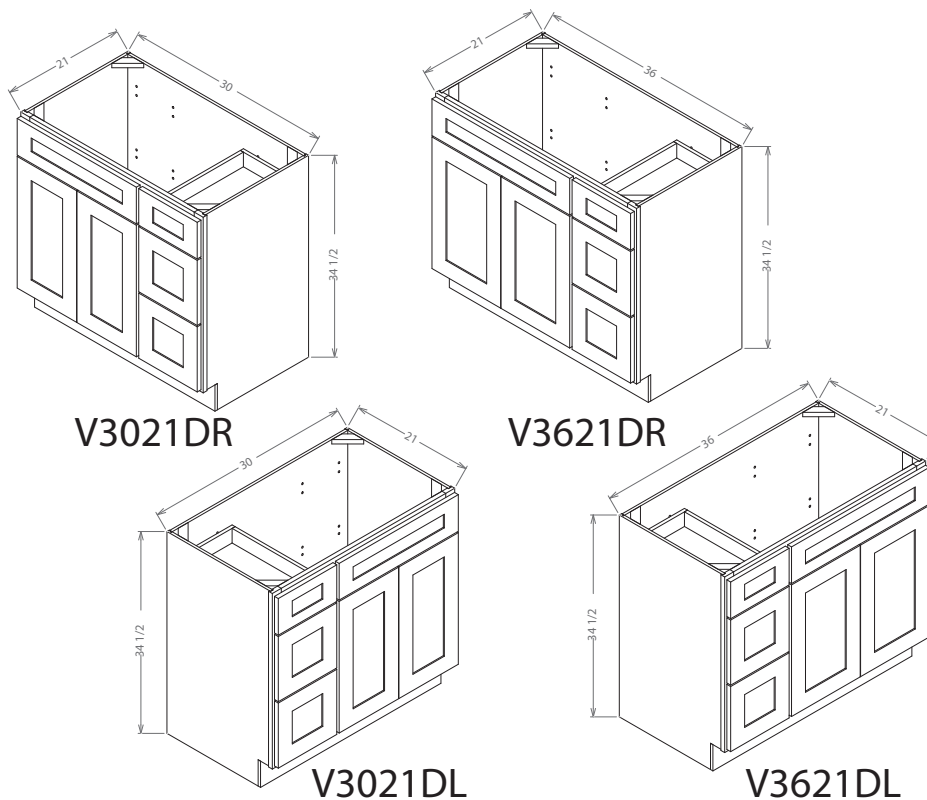


Vanity Cabinets						
Item	Description		Width	Height	Depth	Qty.
VS24	Vanity Sink 24 (butt doors)	Cabinet Dimension	24	34 1/2	21	1
		Door Dimension	11 3/4	22 1/2	3/4	2
		Drawer Front	23 1/2	6 1/4	3/4	1
VS27	Vanity Sink 27 (butt doors)	Cabinet Dimension	27	34 1/2	21	1
		Door Dimension	13 1/4	22 1/2	3/4	2
		Drawer Front	26 1/2	6 1/4	3/4	1
VS30	Vanity Sink 30 (butt doors)	Cabinet Dimension	30	34 1/2	21	1
		Door Dimension	14 3/4	22 1/2	3/4	2
		Drawer Front	14 3/4	6 1/4	3/4	2
VS36	Vanity Sink 36 (butt doors)	Cabinet Dimension	36	34 1/2	21	1
		Door Dimension	17 3/4	22 1/2	3/4	2
		Drawer Front	17 3/4	6 1/4	3/4	2
3VDB12	Vanity 3 Drawer Base 12	Cabinet Dimension	12	34 1/2	21	1
		Top Drawer Front	11 1/2	6 1/4	3/4	1
		Bottom Drawer Front	11 1/2	11 1/8	3/4	2
		Top Drawer Box	8	3 3/8	17 3/8	1
		Bottom Drawer Box	8	8 1/4	17 3/8	2
3VDB15	Vanity 3 Drawer Base 15	Cabinet Dimension	15	34 1/2	21	1
		Top Drawer Front	14 1/2	6 1/4	3/4	1
		Bottom Drawer Front	14 1/2	11 1/8	3/4	2
		Top Drawer Box	11	3 3/8	17 3/8	1
		Bottom Drawer Box	11	8 1/4	17 3/8	2
3VDB18	Vanity 3 Drawer Base 18	Cabinet Dimension	18	34 1/2	21	1
		Top Drawer Front	17 1/2	6 1/4	3/4	1
		Bottom Drawer Front	17 1/2	11 1/8	3/4	2
		Top Drawer Box	14	3 3/8	17 3/8	1
		Bottom Drawer Box	14	8 1/4	17 3/8	2

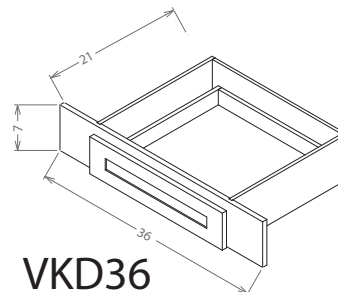
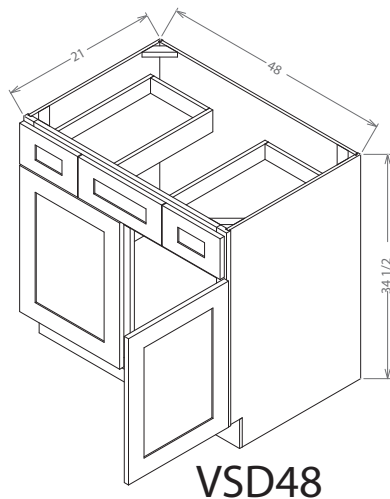
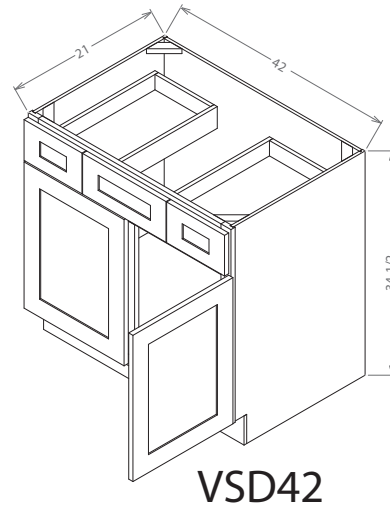
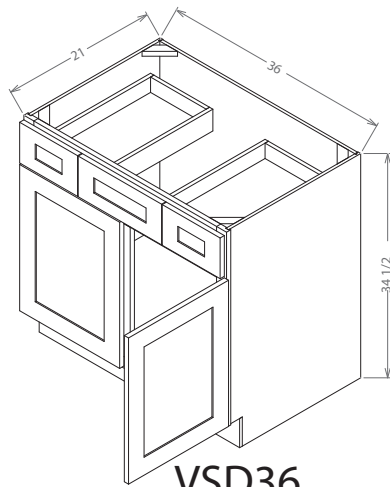


Vanity Cabinets (continued)

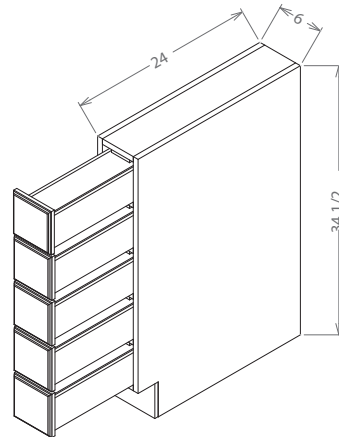
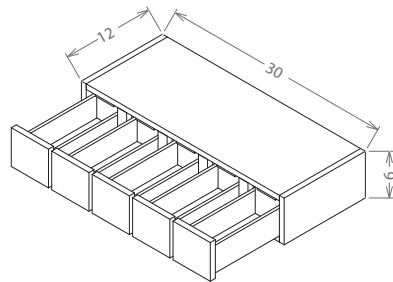
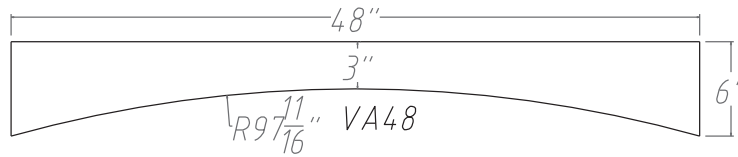
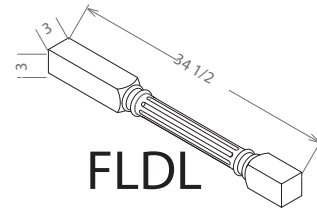
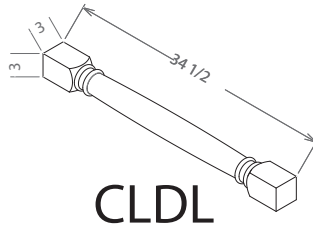
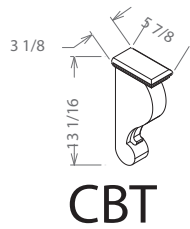
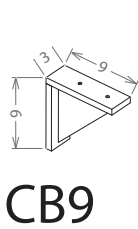
Item	Description	Width	Height	Depth	Qty.	
V3021DR	Vanity Base 30 with Drawers Right	Cabinet Dimension	30	34 1/2	21	1
		Top Drawer Front	11 1/2	6 1/4	3/4	1
		Bottom Drawer Front	11 1/2	11 1/8	3/4	1
		Top Long Drawer Front	17 1/2	11 1/8	3/4	2
		Top Drawer Box	8	3 3/8	18	1
		Bottom Drawer Box	8	8 1/4	18	2
		Door Dimension	8 3/4	22 1/2	3/4	2
V3621DR	Vanity Base 36 with Drawers Right	Cabinet Dimension	36	34 1/2	21	1
		Top Drawer Front	11 1/2	6 1/4	3/4	1
		Bottom Drawer Front	11 1/2	11 1/8	3/4	1
		Top Long Drawer Front	23 1/2	11 1/8	3/4	2
		Top Drawer Box	8	3 3/8	18	1
		Bottom Drawer Box	8	8 1/4	18	2
		Door Dimension	11 3/4	22 1/2	3/4	2
V3021DL	Vanity Base 30 with Drawers Left	Cabinet Dimension	30	34 1/2	21	1
		Top Drawer Front	11 1/2	6 1/4	3/4	1
		Bottom Drawer Front	11 1/2	11 1/8	3/4	1
		Top Long Drawer Front	17 1/2	11 1/8	3/4	2
		Top Drawer Box	8	3 3/8	18	1
		Bottom Drawer Box	8	8 1/4	18	2
		Door Dimension	8 3/4	22 1/2	3/4	2
V3621DL	Vanity Base 36 with Drawers Left	Cabinet Dimension	36	34 1/2	21	1
		Top Drawer Front	11 1/2	6 1/4	3/4	1
		Bottom Drawer Front	11 1/2	11 1/8	3/4	1
		Top Long Drawer Front	23 1/2	11 1/8	3/4	2
		Top Drawer Box	8	3 3/8	18	1
		Bottom Drawer Box	8	8 1/4	18	2
		Door Dimension	11 3/4	22 1/2	3/4	2



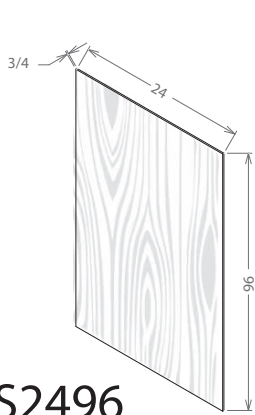
Vanity Cabinets (continued)							
Item	Description	Width	Height	Depth	Qty.		
VSD36	Vanity Sink Drawer Cabinet 36	Cabinet Dimension	36	34 1/2	21	1	
		Door Dimension	17 3/4	22 1/2	3/4	2	
		Outside Drawer Front	10 1/4	6 1/4	3/4	2	
		Center Drawer Front	14 1/2	6 1/4	3/4	1	
		Drawer Box	7 3/8	3 3/8	17 3/8	2	
VSD42	Vanity Sink Drawer Cabinet 42	Cabinet Dimension	42	34 1/2	21	1	
		Door Dimension	20 3/4	22 1/2	3/4	2	
		Outside Drawer Front	11 1/2	6 1/4	3/4	2	
		Center Drawer Front	18	6 1/4	3/4	1	
		Drawer Box	8 7/8	3 3/8	17 3/8	2	
VSD48	Vanity Sink Drawer Cabinet 48	Cabinet Dimension	48	34 1/2	21	1	
		Door Dimension	23 3/4	22 1/2	3/4	2	
		Outside Drawer Front	14 1/2	6 1/4	3/4	2	
		Center Drawer Front	18	6 1/4	3/4	1	
		Drawer Box	11 7/8	3 3/8	17 3/8	2	
VKD36	Vanity Knee Drawer 36	Cabinet Dimension	36	7	21	1	
		Drawer Front	23 1/2	6 1/4	3/4	1	
		Drawer Box	19 3/4	3 3/8	17 3/8	1	



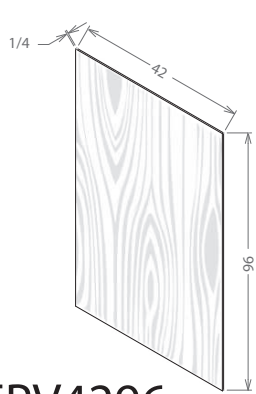
Accessories						
Item	Description		Width	Height	Depth	Qty.
CB9	Corbel 9x9	Dimension	3	9	9	1
CBT	Corbel Traditional	Dimension	3	12 3/4	5 7/8	1
CLDL	Classic Decorative Leg	Dimension	3	34 1/2	3	1
FLDL	Fluted Decorative Leg	Dimension	3	34 1/2	3	1
WSD630	Wall Spice Drawer	Cabinet Dimension	30	6	12	1
		Drawer Front	5 1/2	5	3/4	5
		Drawer Box	4 1/2	4 1/8	11 1/4	5
BSDC6	Base Spice Drawer	Cabinet Dimension	34 1/2	6	24	1
		Drawer Front	5 1/2	5	3/4	5
		Drawer Box	4 1/2	4 1/8	23 1/4	5
VA48	Valance Arched 48	Dimension	48	6	3/4	1



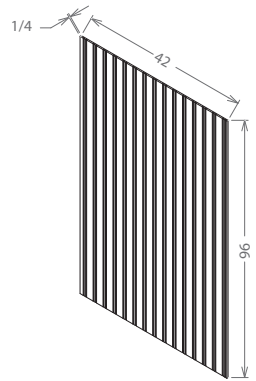
Panels				
Item	Description	Width	Height	Depth
S2496	Shelving 24x96 (Finished Edge)	24	96	3/4
FPV4296	Finished Panel Veneer 42x96	42	96	1/4
BBFPV4296	Bead Board Finished Panel 42x96	42	96	1/4
WSV42	Wall Skin Veneer 15x42	15	42	1/4
BSV	Base Skin Veneer	23 1/4	34 1/2	1/4
USV2496	Universal Skin Veneer 96x24	24	96	1/4
DWR3	Dishwasher Return End Panel	3	34 1/2	24
REPV2496	Refrigerator End Panel 24x96	1 1/2	96	24



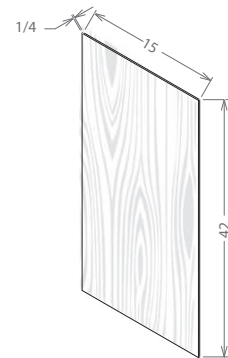
S2496



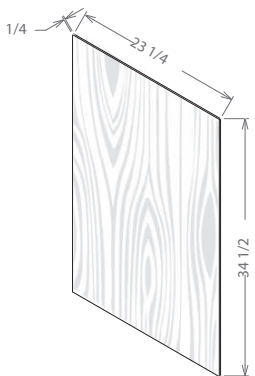
FPV4296



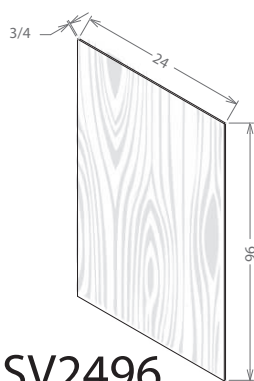
BBFPV4296



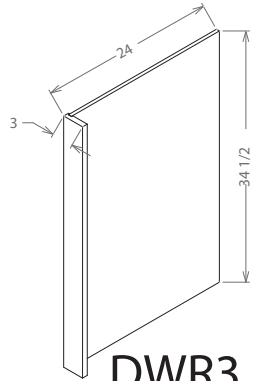
WSV42



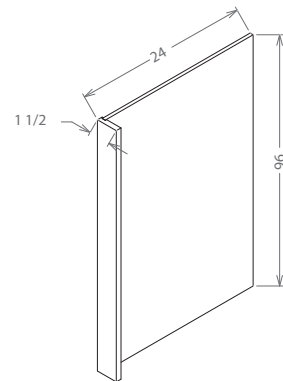
BSV



USV2496

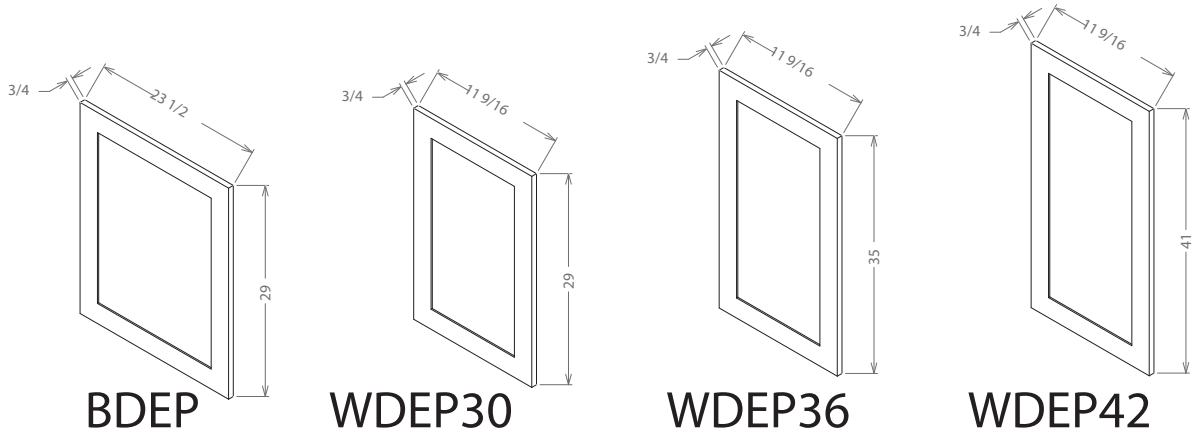


DWR3

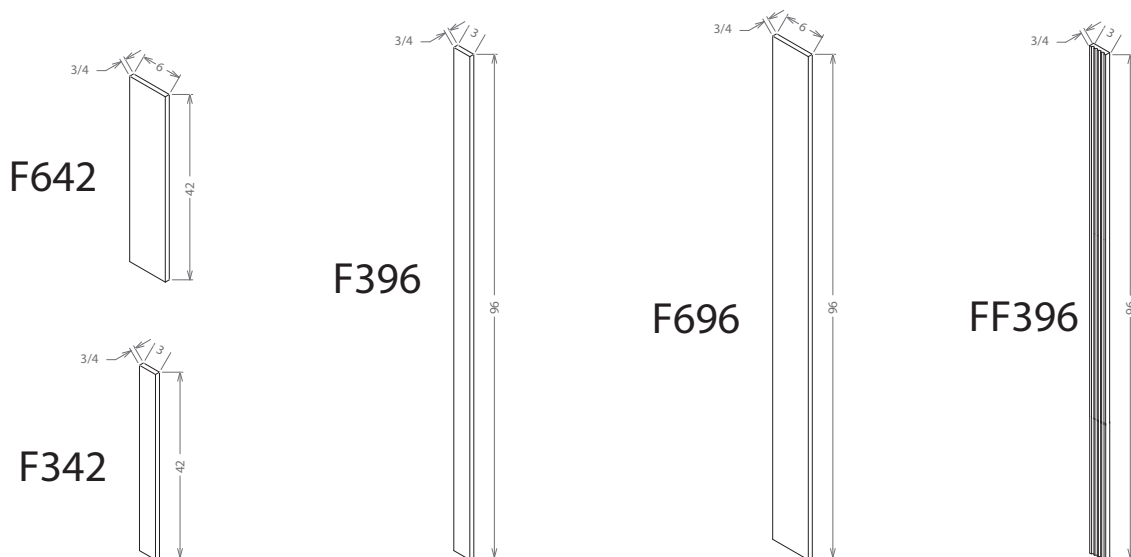


REPV2496

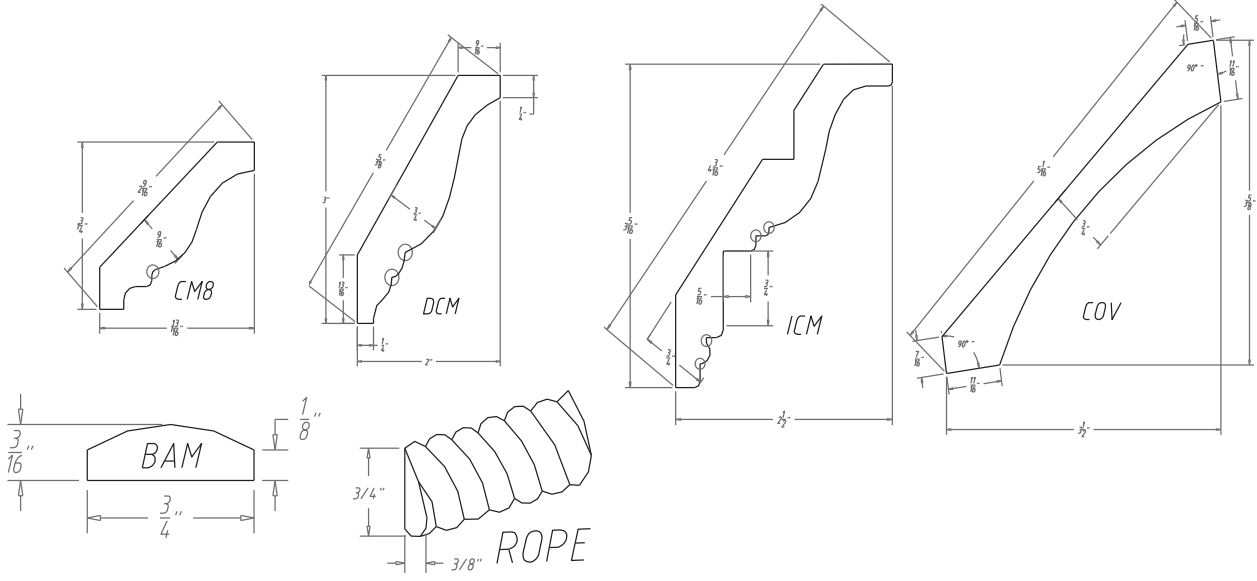
Decorative End Panels				
Item	Description	Width	Height	Depth
BDEP	Base Decorative End Panel	23 1/2	29	3/4
WDEP30	Wall Decorative End Panel 30	11 1/2	29	3/4
WDEP36	Wall Decorative End Panel 36	11 1/2	35	3/4
WDEP42	Wall Decorative End Panel 42	11 1/2	41	



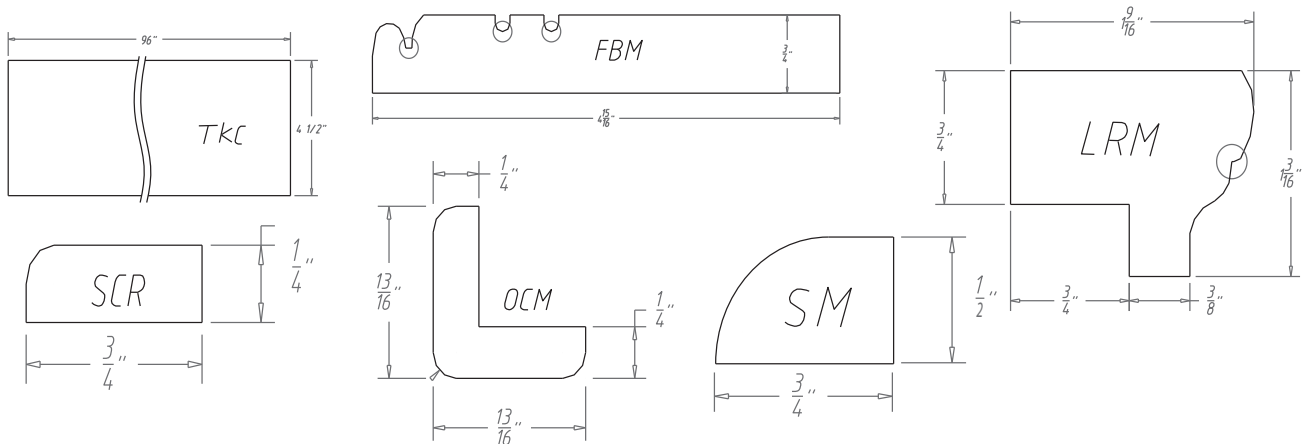
Fillers				
Item	Description	Width	Height	Depth
F342	Filler 3x42	3	42	3/4
F642	Filler 6x42	6	42	3/4
F396	Filler 3x96	3	96	3/4
F696	Filler 6x96	6	96	3/4
FF396	Fluted Filler 3x96	3	96	3/4

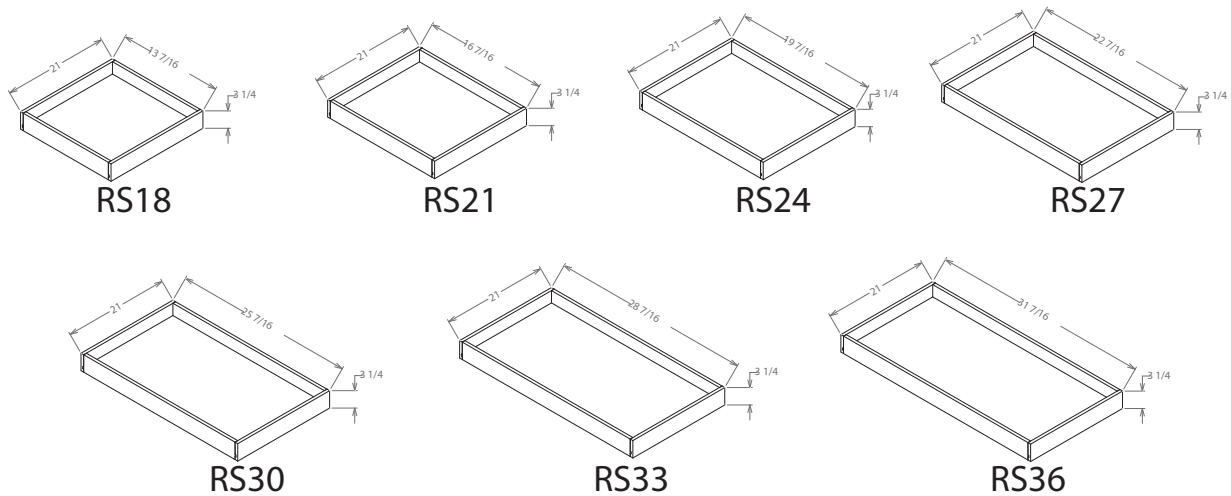


Moulding					
Item	Description		Width	Height	Depth
BAM	Batten Moulding 3/4	Dimension	96	3/4	3/16
DCM	Crown Moulding 2 1/2	Dimension	96	3	2
CM8	Crown Moulding 1 3/4	Dimension	96	1 3/4	1 3/16
ICM	Insert Crown Moulding	Dimension	96	3 5/16	2 1/2
COV	Cove Crown Molding	Dimension	96	3 5/8	3 1/2
ROPE	Rope Moulding 3/4	Dimension	96	3/4	3/8



Moulding					
Item	Description		Width	Height	Depth
TKC	Toe Kick Cover	Dimension	96	4 1/2	1/4
FBM	Base Moulding	Dimension	96	4 15/16	3/4
LRM	Light Rail Moulding	Dimension	96	1 3/16	1 9/16
OCM	Outside Corner Moulding 3/4	Dimension	96	3/4	1/4
SCR	Scribe Moulding 3/4	Dimension	96	3/4	1/4
SM	Shoe Moulding	Dimension	96	3/4	1/2





All trays come standard with full extension side-mount ball bearing glides.

Roll-Out Shelves				
Item	Description	Width	Height	Depth
RS18	Roll-Out Shelf-1 Tray	13 3/8	3 3/8	20 3/8
RS21	Roll-Out Shelf-1 Tray	16 3/8	3 3/8	20 3/8
RS24	Roll-Out Shelf-1 Tray	19 1/2	3 3/8	20 3/8
RS27	Roll-Out Shelf-1 Tray	22 1/2	3 3/8	20 3/8
RS30	Roll-Out Shelf-1 Tray	25 3/8	3 3/8	20 3/8
RS33	Roll-Out Shelf-1 Tray	28 3/8	3 3/8	20 3/8
RS36	Roll-Out Shelf-1 Tray	31 3/8	3 3/8	20 3/8